

HUBBELL ANGLE ADAPTERS

INSTALLATION INSTRUCTIONS

CAT. NO. AA 20/30 PS	FOR MOUNTING Hubbell 20,30,16,32 Ampere Pin and Sleeve Receptacles
AA 50 TL	Hubbell 50 Ampere Twist Lock Receptacles
AA 20/30 TL	Hubbell 20/30 Ampere Twist-Lock Receptacles
AA 30 HL	Hubbell 30 Ampere Hubbellock Receptacles

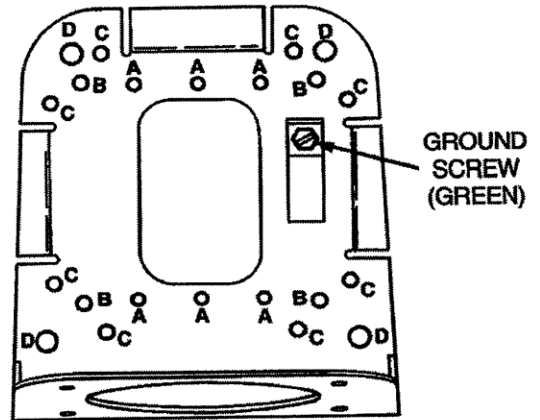
IMPORTANT

These adapters are intended only for the mounting of Hubbell grounding receptacles on grounded metallic boxes which are mounted to a structural member in concealed wiring systems. The frame of this adapter must be bonded to the grounded metallic box by a bonding jumper or to the equipment grounding conductor. (i.e.: The mounting screws will not necessarily provide a bond in accordance with the N.E.C.).

MOUNTING: FRAME MOUNTING HOLES

Holes Marked: For Mounting To:

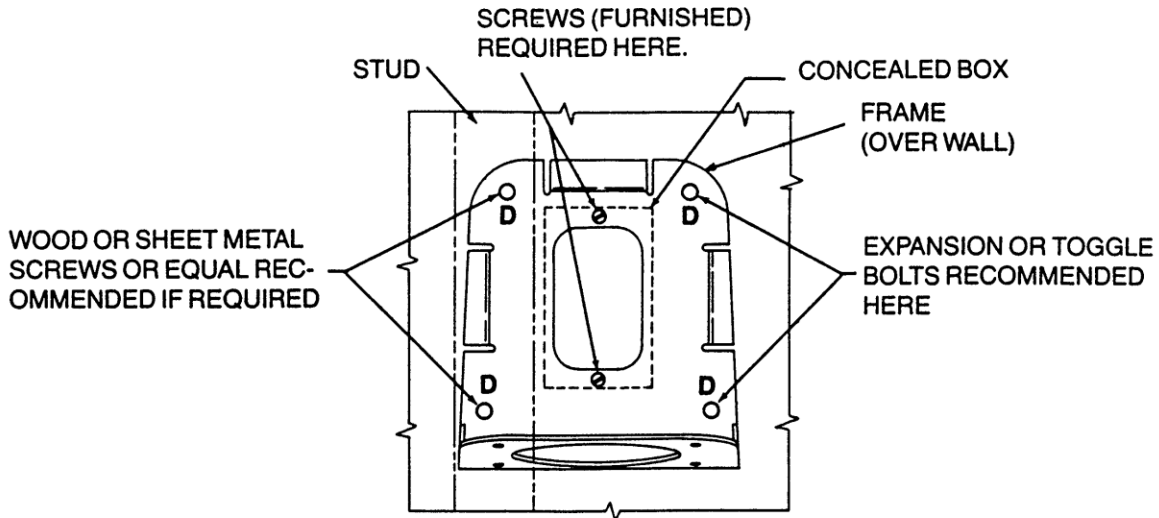
- A** A single or double gang outlet box or mud ring.
- B** A 4" square box.
- C** A 4-11/16" Box.
- D** For supplementary screws (not furnished) in installations where the concealed box is not an adequate support means or for installations subject to abuse.



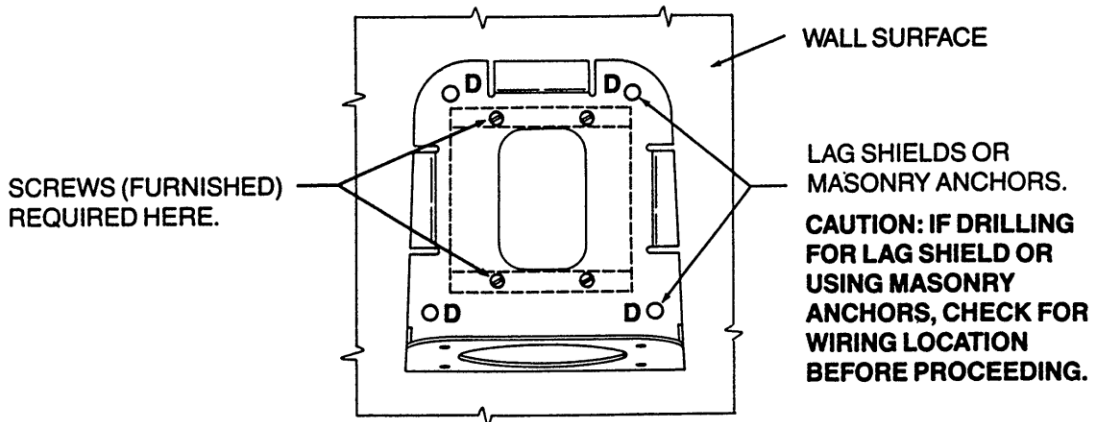
HARDWARE FURNISHED (IN BAG)

Qty.	Description	Used For Assembling
4	#8 x 1/2 Self Tapping Screw	Cover to Frame
4	#8 x 7/8 Round Head Screw	Frame to 4" or 4-11/16" Box
4	#6 x 7/8 Round Head Screw	Frame to Single Gang, Double Gang or Mud Ring.
2	#6 x 1/2 Washer Screw	Untapped Receptacle to Frame of AA 50 TL, AA 20/30 TL and AA 30 HL. Clips slide over receptacle bridge.
2	"U" Clips	

**TYPICAL INSTALLATION FOR FRAME CONSTRUCTION
WITH PANELING, SHEET ROCK OR PLASTER**



**TYPICAL INSTALLATION FOR MASONRY
OR POURED CONCRETE CONSTRUCTION.
USE PATTERN "D" HOLES TO SECURE FRAME TO WALL**



TYPICAL INSTALLATION FOR METAL PARTITIONS

Mount to metal box or wireway (with appropriate cable strain relief) with a minimum of two screws furnished. Use "D" holes with sheet metal screws as required.

WIRING

1. Connect a bonding jumper (#10AWG copper, min., for 30 amp device; #12AWG copper, min., for 20 amp device) between the grounding terminal of the adapter frame (green hexagonal screws) and the grounded metallic outlet box.
2. Wire the receptacle, connecting the receptacle grounding terminal to the equipment grounding conductor and observing correct polarity of line conductors if applicable. "Pigtails" and insulated wire connectors may be required to reach the receptacle.

In the case of an "Isolated Ground" receptacle, an insulated grounding conductor must be run from the grounding terminal of the derived system or service to achieve "isolation" for the reduction of electrical noise (See Nat. Elec. Code, NFPA70, Art. 250-74, Exception No. 4).

If there is no equipment grounding conductor present in the box and the metallic raceway system is used for equipment ground, the receptacle grounding terminal must be connected to the grounded metallic outlet box.

3. Mount receptacle securely to adapter frame. For adapter Cat. No. AA20/30PS use screws provided with receptacle. For other adapters use "U" clips and #6 washer head screws provided with adapter. Fit "U" clips over ends of receptacle mounting strap with threaded leg to rear of receptacle and position receptacle inside frame.
4. Dress leads to clear cover. Slide cover down over frame and secure with 4 #8 tapping screws provided.



Wiring Device Division