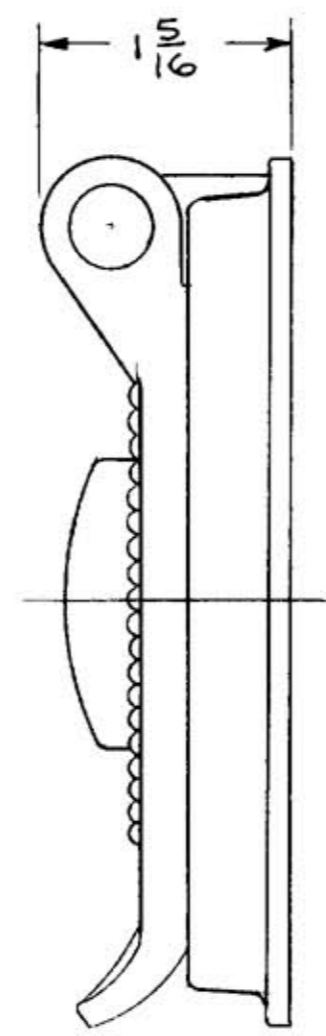
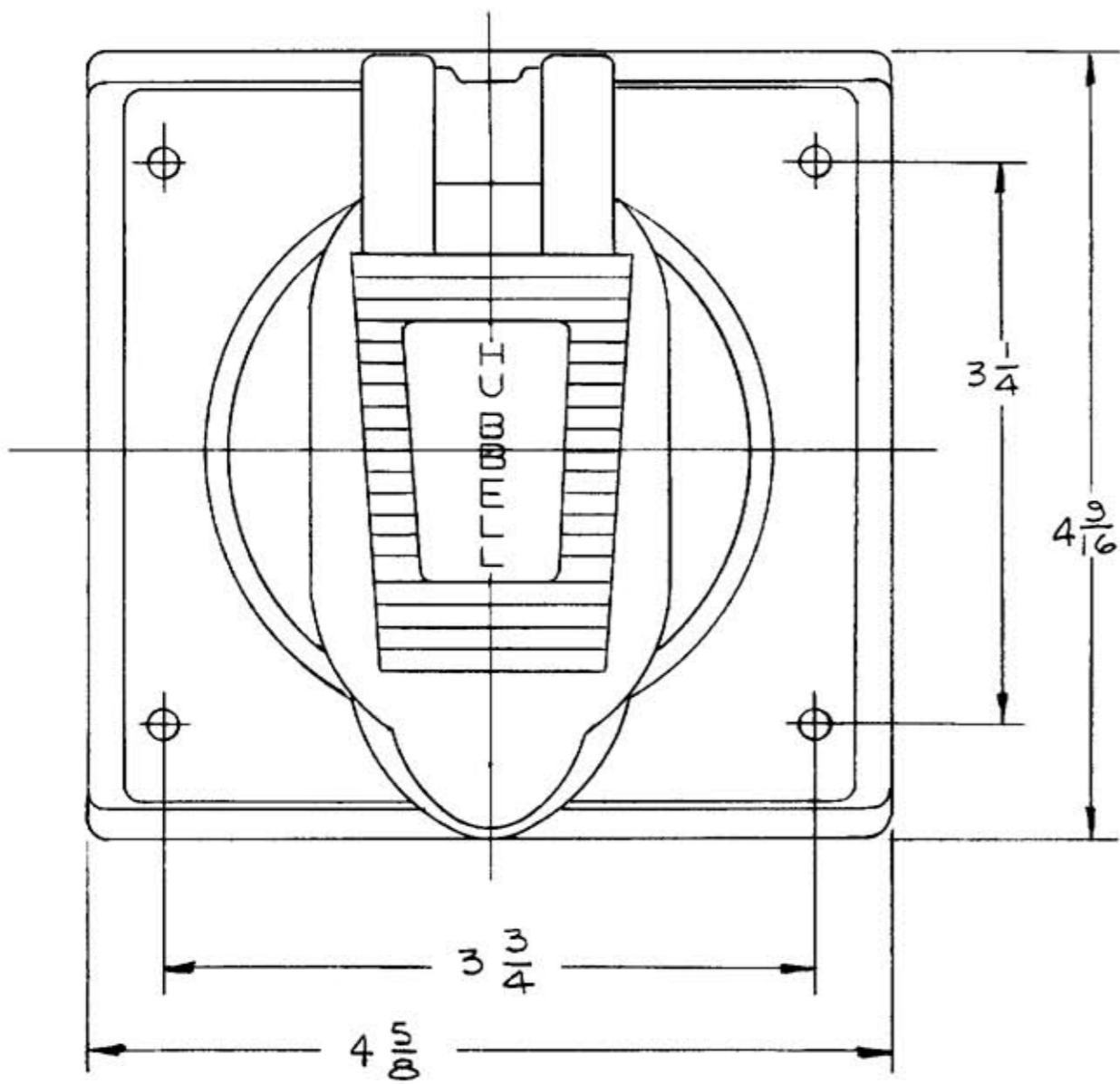


M-6932



CATALOG NO.	COLOR
7777A	GRAY
77CM77A	YELLOW

FOR RECEPTACLES WITH FACE  
DIAMETERS OF 2.437"

LIST OF PARTS		
DESCRIPTION	MATERIAL	FINISH
COVER PLATE	POLYESTER	
LIFT COVER	POLY-CARBONATE	
GASKETS	NEOPRENE	
MTG. SCREWS	ST. ST.	
COVER SPRING	ST. ST.	

DIMENSION SHEET FOR CAT. NO. SEE TABLE

REPAIRABLE  NON-REPAIRABLE

SYM	REVISIONS	APP	DATE

THE DESIGN AND DIMENSIONS OF THE  
PRODUCT SHOWN ON THIS DRAWING ARE  
SUBJECT TO CHANGE WITHOUT NOTICE.

PROJ 1094

TITLE  
TWO GANG WEATHER PROOF  
LIFT COVER

WIRING DEVICE DIVISION HARVEY HUBBELL, INC. BRIDGEPORT, CONN.			
TOLERANCES UNLESS OTHERWISE SPECIFIED	DR. BY <u>AJL</u>	APP. BY	
FRACTIONS ± 1/64	TR. BY	SCALE 1:1	
DECIMALS ± .005	CHK'D. BY	DATE	12-7-90
ANGLES ± 2°			

CODE 74545

**B**  
M-6932