

Twist-Lock® Devices 20A, 250V AC, 2 Pole, 2 Wire Non-Grounding Receptacle

HUBBELL

Features

- All-brass mounting and grounding system provides a lower resistance ground path and greater resistance to corrosion than steel mounting systems
- Face color coding by voltage facilitates locating and mating of proper devices
- High-impact, abuse-resistant nylon face
- Wire restraint recess for both back and side wiring, greatly reduces the possibility of loosening the terminal connection

Ordering Information

Description	Device Color	UPC	Catalog Number
Single, black phenolic	Black	783585237107	HBL7210B

Listings

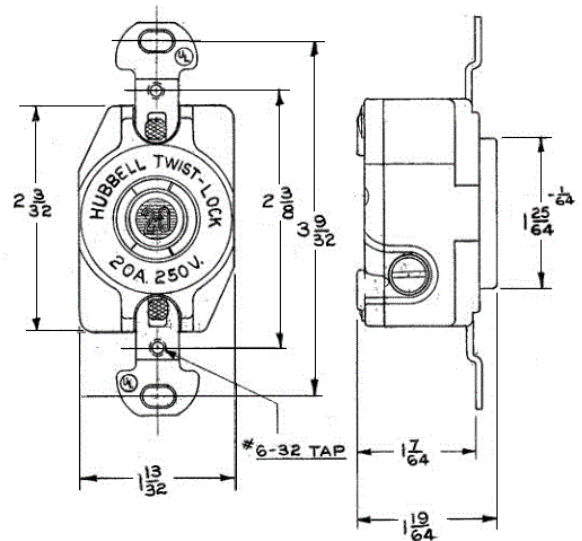
Listed to UL 498
Fed Spec W-C-596
Certified to CSA C22.2 No.42

Specifications

Face	RTP
Contacts	Brass
Clamp	Brass
Ground Contact	Brass
Terminal Screws	Brass

Performance

Electrical	
Current Interrupting	Certified for current interrupting at full rated current
Dielectric Voltage	Withstands 2,000V minimum
Mechanical	
Terminal Accommodation	#16 AWG - #8 AWG solid or stranded copper wire only.
Terminal Identification	Terminals identified in accordance with UL 498
Environmental	
Flammability	HB or better per UL94/CSA 22.2 No.0.17
Operating Temperatures	Maximum Continuous 75°C; Minimum -40°C (w/o impact)



Accessories

Plug	HBL7102C
Wallplate or Weatherproof Cover	1.40" Opening

Resources

Customer Use Drawing
eCatalog

Dimensions in Inches (mm)

Hubbell Wiring Device-Kellems • Hubbell Incorporated (Delaware) • 40 Waterview Drive • Shelton, CT 06484

Phone (800) 288-6000 • Fax (800) 255-1031 • Specifications subject to change without notice.

