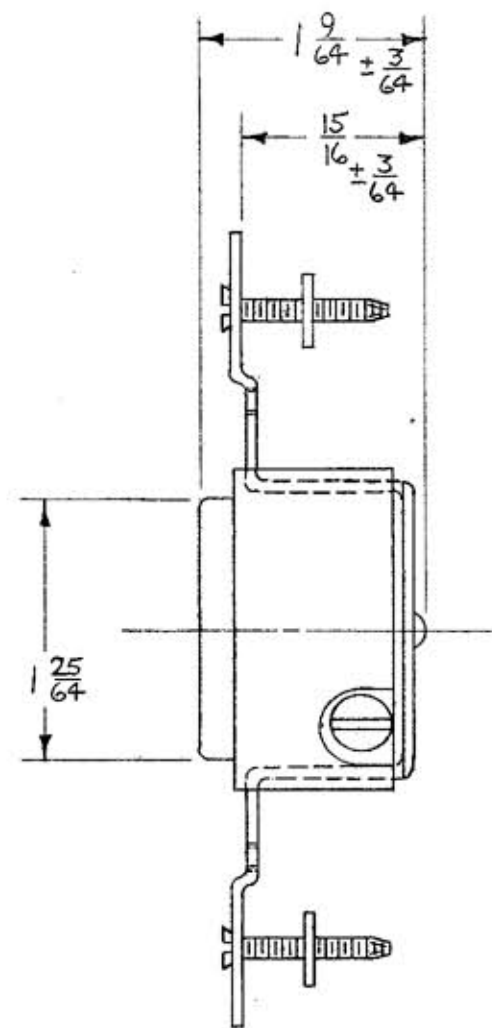
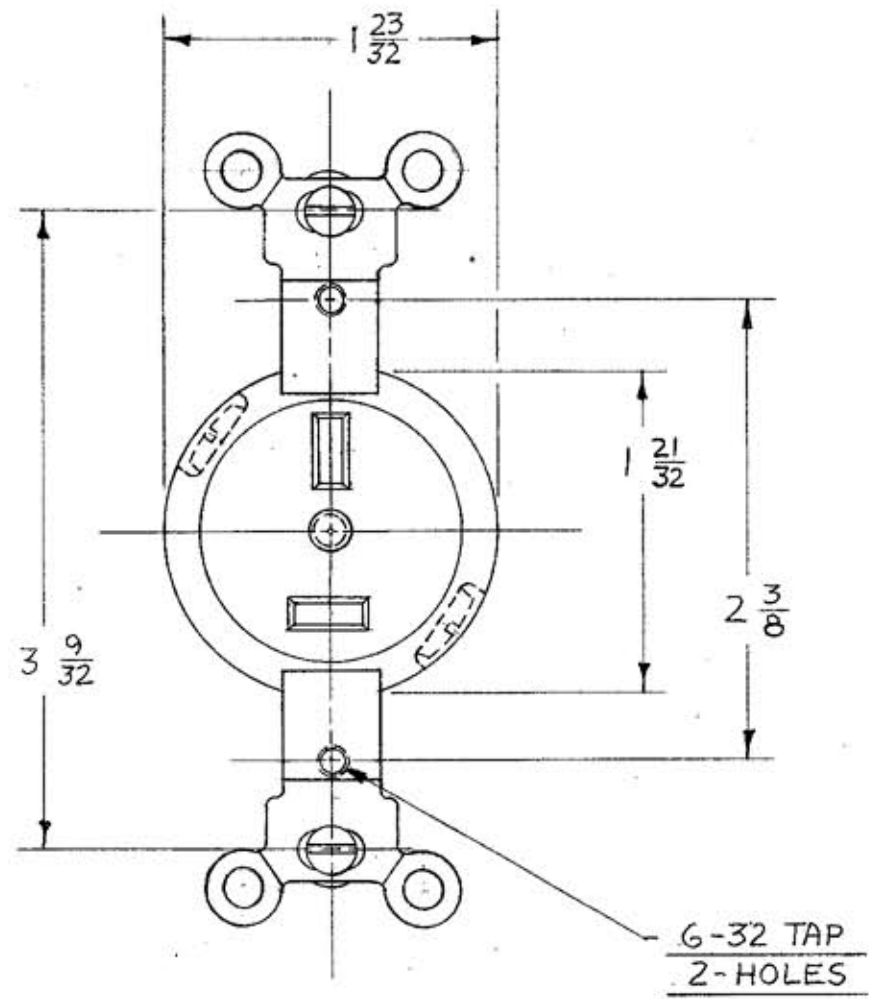


M-2435

CAT. NO(5552-I) REQUIRES
IVORY BODY



LIST OF PARTS

DESCRIPTION	MATERIAL	FINISH
BODY	PHENOLIC	BLACK
BINDING PLATE	.040 BRASS	
CONTACT SPRING	.040 PHOS. BRZ	
BINDING SCREW	BRASS	
INSULATOR	.050 LAM. PHEN.	BLACK
BRIDGE	.050 C.R.S.	
RIVET	BRASS	ZINC PL.

DIMENSION SHEET FOR CAT. NO. 5552-B
5552-I

REPAIRABLE NON-REPAIRABLE

B

M-2435

SYM	REVISIONS	APP	DATE

SUPERSEDES DWG DATED 12-29-48

TITLE
 20A 250V A.C. OR D.C.
 TWO-WIRE STRAIGHT BLADE
 POLARIZED SINGLE OUTLET

TOLERANCES UNLESS
 OTHERWISE SPECIFIED
 FRACTIONS ± 1/64
 DECIMALS ± .005
 ANGLES ± 2°

HARVEY HUBBELL, INC.
 BRIDGEPORT, CONN.
 DR. BY EPS APP. BY
 TR. BY SCALE FULL
 CHK'D. BY DATE 4-28-70