

Twist-Lock® Devices  
 15A, 125V, 2 Pole, 3 Wire Grounding  
 Insulgrip® Flanged Receptacle

# HUBBELL

## Features

- Impact resistant thermoplastic construction
- Backwired terminations for ease of installation
- #8-32 Multiple drive terminal screws (Slotted, Phillips, Robertson)
- Mounting screws included



## Ordering Information

| Description               | Device Color | UPC          | Catalog Number |
|---------------------------|--------------|--------------|----------------|
| Nylon casing, back wired. | White        | 783585171005 | HBL4715C       |

## Listings

Listed to UL 498  
 Fed. Spec. W-C-596  
 Certified to CSA C22.2 No.42

## Specifications

|                   |  |
|-------------------|--|
| Housing           | Nylon  |
| Terminal Retainer | Clear polycarbonate                          |
| Contacts          | Brass  |
| Terminal Clamp    | #8-32 Brass (Phillips / Slotted / Robertson) |
| Terminal Clamp    | Cold rolled steel – nickel plated            |
| Assembly Screws   | Steel - zinc plated                          |
| Mounting Screw    | Nickel plated brass                          |

## Performance

### Electrical

Current Interrupting Certified for current interrupting at full rated current  
 Dielectric Voltage Withstands 2,000V minimum

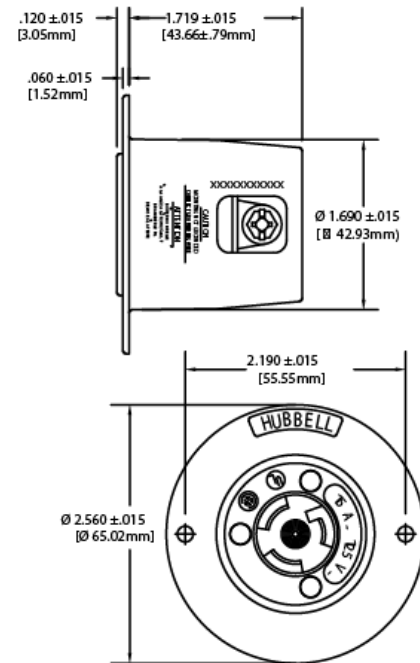
### Mechanical

Terminal Accommodation #18 AWG - #10 AWG solid or stranded copper wire only.

Terminal Identification Terminals identified in accordance with UL 498

### Environmental

Flammability HB or better per UL94/CSA 22.2 No.0.17  
 Moisture Resistance IP20 Suitability  
 Operating Temperatures Maximum Continuous 75°C; Minimum -40°C (w/o impact)



## Accessories

|                         |          |
|-------------------------|----------|
| Plug                    | HBL4720C |
| Weatherproof Lift Cover | WP1      |

## Resources

Customer Use Drawing  
 eCatalog

Dimensions in Inches (mm)

Hubbell Wiring Device-Kellems • Hubbell Incorporated (Delaware) • 40 Waterview Drive • Shelton, CT 06484

Phone (800) 288-6000 • Fax (800) 255-1031 • Specifications subject to change without notice.

