

## IEC Pin and Sleeve

100A, 3Phase, 600V, 3 Pole, 4 Wire

## Watertight Connector Body

### Features

- UL Type 4X, 12 and IP69k environmental ratings
- Impact and corrosion resistant insulated non-metallic housing
- Watertight neoprene glad seal to prevent water ingress from entering at cable entrance
- Sequential contact engagement to prevent a momentary over-voltage
- Market leading UL witnessed HP ratings

### Ordering Information

| Description                                  | UPC          | Catalog Number |
|--|--------------|----------------|
| Watertight IEC Pin and Sleeve Connector Body | 783585403984 | HBL4100C5W     |

### Listings

UL Listed, File E146033  
CSA Certified File LR280C  
UL Classified to IEC 60309-1 IEC 60309-2

### Specifications

|             |                |
|-------------|----------------|
| Housing     | PBT            |
| Cord Clamps | PBT            |
| Glands      | Solid Neoprene |
| Covers      | PBT            |
| Gaskets     | Santoprene     |

### Performance

|                         |  |
|-------------------------|--|
| <b>Electrical</b>       |  |
| Current Interrupting    | Certified for current interrupting at full rated current                   |
| Dielectric Voltage      | Withstand 3000V AC   |
| Max. Working Voltage    | 600V RMS   |
| <b>Mechanical</b>       |  |
| Impact Resistance       | Per CSA C22.2 No. 182.1 / UL1682   |
| Product Identification  | Identification and ratings are a permanent part of the device housing      |
| Terminal Identification | Terminals identified in accordance with North American and IEC conventions |
| <b>Environmental</b>    |  |
| Flammability            | V-0  |
| Ingress Protection      | Type 3R, 3RX, 4X and IP68, IP69K   |
| Moisture Resistance     | IEC 60309-1  |
| Operating Temperatures  | Maximum Continuous 75°C; Minimum - 40°C w/o impact                         |

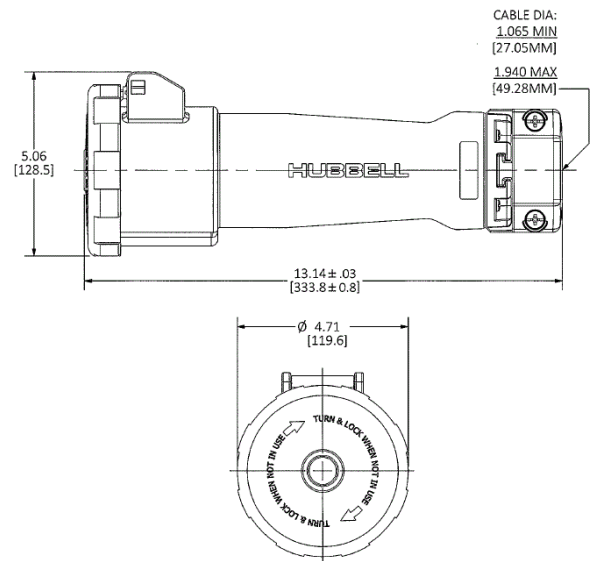
### Complementary Products

Cover Assemblies  
Cord Clamp and Locking Ring  
Liquidtight Adapters

### Online Resources

Customer Sales Drawing  
eCatalog  
Installation Instructions

# HUBBELL



Dimensions in Inches (mm)

Hubbell Wiring Device-Kellems • Hubbell Incorporated (Delaware) • 40 Waterview Drive • Shelton, CT 06484

Phone (800) 288-6000 • Fax (800) 255-1031 • Specifications subject to change without notice.

