

DIMENSION SHEET FOR CAT. NO. SEE TABLE

REPAIRABLE  NON-REPAIRABLE

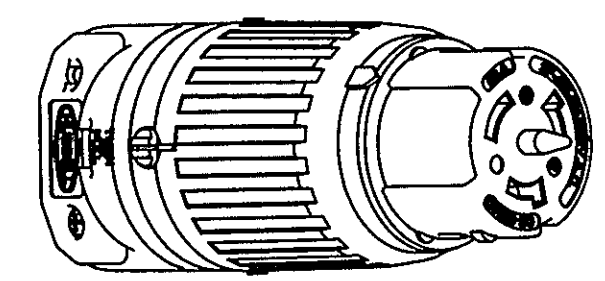
**B**

**M-6591**

**7**

LIST OF PARTS

DESCRIPTION	MATERIAL	FINISH
CONTACT NOSE	NYLON	
PIN-CS	STAIN ST.	
HOLDER CONTACT	POLYESTER	
CONTACT SPRING	BRASS	
RIVET	BRASS	
BOX TERMINAL	COPPER	
TERMINAL SET SCREW	STAIN ST.	
GRD. CONTACT	COPPER NICKEL	
RETAINER	POLYESTER	
ASS'Y RING	STAIN ST.	
FRONT HOUSING	NYLON	
SEAL	NEOPRENE	
SEAL CUP	NYLON	
REAR HOUSING	NYLON	
CORD GRIPS	POLYESTER	
GRIP SCREWS	STAIN ST.	
LATCHES	NYLON	



CATALOG NO. CS6364C  
NOT SHOWN TO SCALE

7	REDRAWN WITH EMBEDDED CAD MODEL WITH NO CHANGES TO PART GEOMETRY.	DJP	2/5/16
REV	DESCRIPTION	APP	DATE

THE DESIGN AND DIMENSIONS OF THE PRODUCT SHOWN ON THIS DRAWING ARE SUBJECT TO CHANGE WITHOUT NOTICE

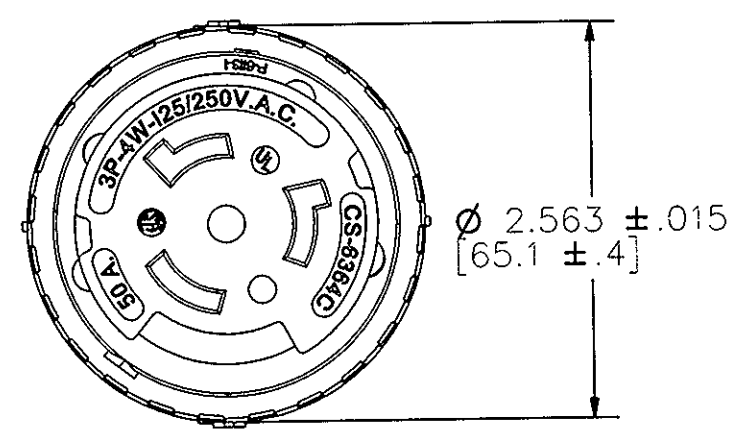
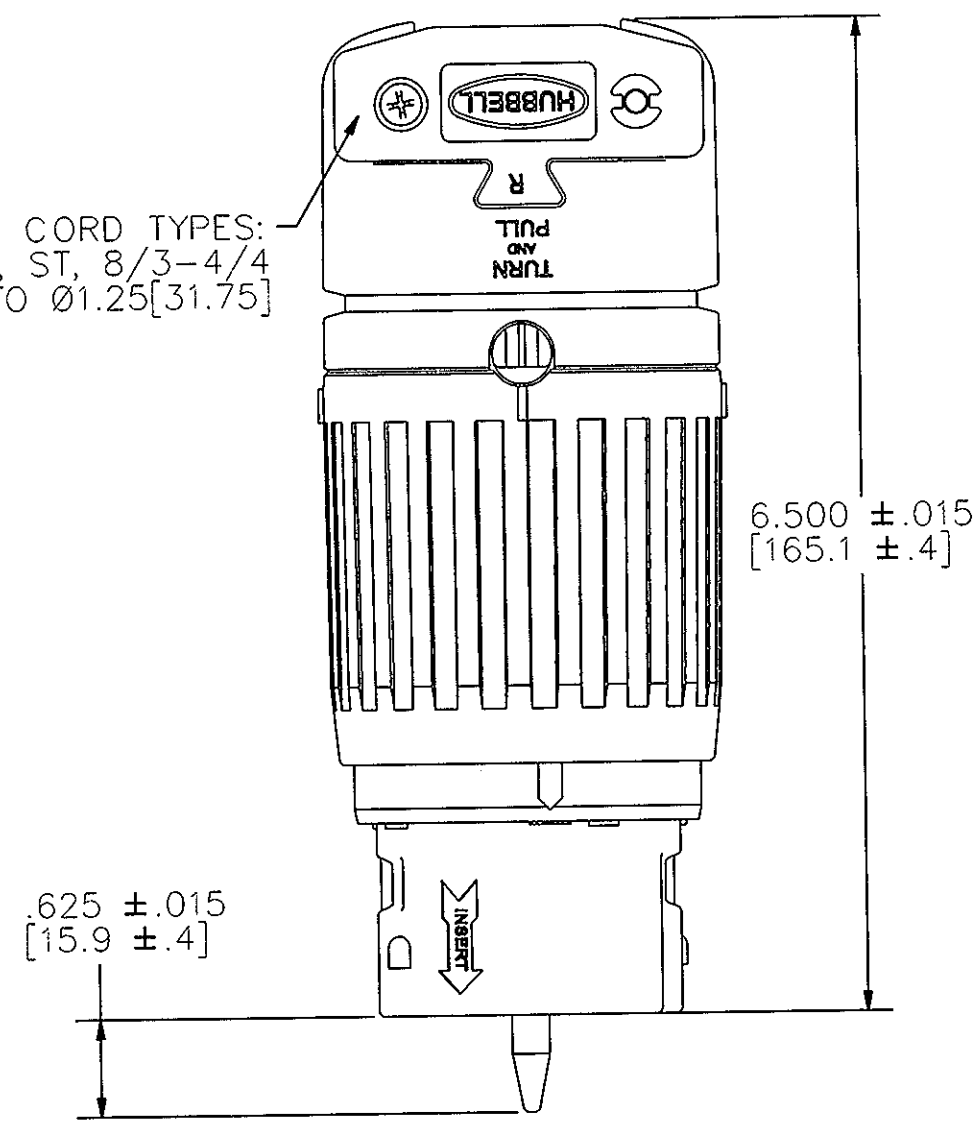
TITLE  
50A TWIST-LOCK CONNECTORS  
THREE AND FOUR WIRE

TOLERANCES UNLESS OTHERWISE SPECIFIED	WIRING DEVICE-KELLEMS HUBBELL INCORPORATED SHELTON, CT	
.XX = ± .01	DR. BY	SR
.XXX = ± .005	TR. BY	APP. BY
ANGLES = ± 2°	CHK. BY	SCALE 1:1
		DATE 27/02/2015

M-6591 7

CAT. NO.	CONFIGURATION	RATING
CS6360C		50A 125V 2-POLE 3-WIRE
CS8264C		50A 250V 2-POLE 3-WIRE
CS8464C		50A 480V 2-POLE 3-WIRE
CS6364C		50A 125/250V 3-POLE 4-WIRE
CS8364C		50A 250V 3 PHASE 3-POLE 4-WIRE
CS8164C		50A 480V 3 PHASE 3-POLE 4-WIRE
HBL3762C		50A 250V DC 50A 600V AC 2-POLE 3-WIRE
HBL3764C		50A 250V DC 50A 600V AC 3-POLE 4-WIRE
HBL7764C		50A 250V DC 50A 600V AC 3-POLE 4-WIRE

USE ROUND CORD TYPES:  
S, SO, ST, 8/3-4/4  
Ø.83[21.08] TO Ø1.25[31.75]



DEVICE MAY BE SHIPPED WITH REAR HOUSING & CORD GRIPS UNASSEMBLED.