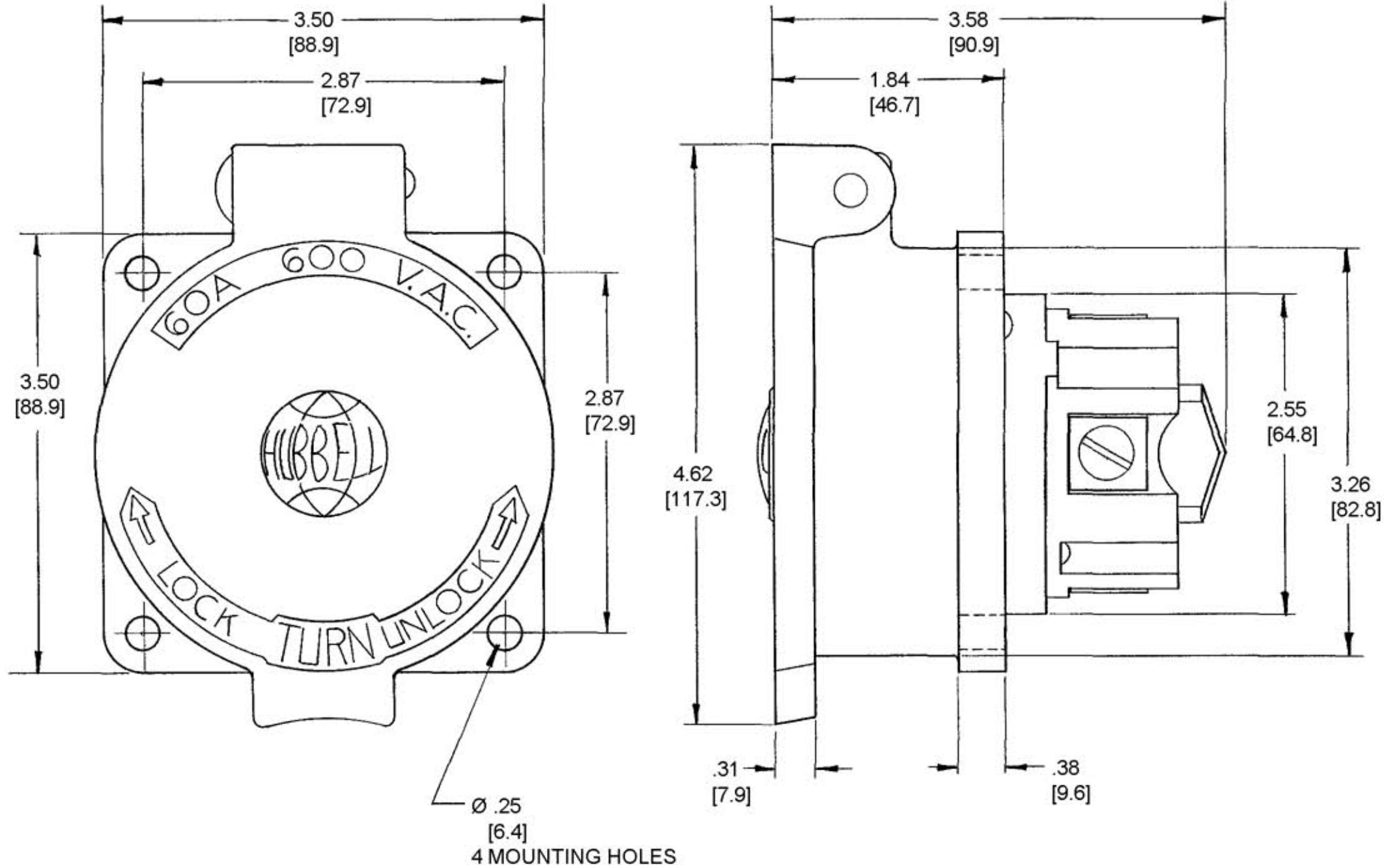


M-4897

2



NOTES:

- 1. WIRE CAPACITY: #6 AWG TO #2 AWG, COPPER WIRE ONLY.
- 2. ALL DIMS. TO BE INCHES.
[mm]

LIST OF PARTS		
DESCRIPTION	MATERIAL	FINISH
HOUSING	ALUMINUM	
COVER FLAP	ALUMINUM	
CONTACT SPRINGS	.040 COPPER	
GROUNDING SPR.	.031 BRONZE	
GROUND SHUNT	.020 BRASS	
CLAMPS	ALUMINUM	TIN PL.
CLAMP SCREWS	STEEL	ZINC PL.
CENTER POST	STEEL	ZINC PL.
AUX. SPRING	.020 BRONZE	
COIL SPRING	.055 ST WIRE	COPPER PL.
HINGE PIN	STEEL	ZINC PL.
HINGE SPRING	.051 S. STL.	
COVER GASKET	.093 NEOP.	GRAY
HOLDER, BODY & SLIDER	DUREZ	BLACK
CASING	.025 BRASS	ZINC PL.
MOUNTING GASKET (NOT SHOWN)	NEOPRENE	

SYM	REVISIONS	APP	DATE
2	ADDED NOTES 1 & 2; REVISED TITLE: "HBL26410" WAS "26410"; CONVERTED ALL DIMS. TO DECIMAL & METRIC; ADDED MOUNTING GASKET CALLOUT PER DCN 11902 RCM	JPP	1/31/05
1	CAT.# WAS IN-12903		6-7-72

DIMENSION SHEET FOR CAT. NO. HBL26410
 REPAIRABLE NON-REPAIRABLE
B
M-4897
2

TITLE
 60A 600VAC, 3 POLE, 4 WIRE
 HUBBELLOCK GROUNDING OUTLET

TOLERANCES UNLESS OTHERWISE SPECIFIED
 FRACTIONS ± 1/64
 DECIMALS ± .005
 ANGLES ± 2°

HARVEY HUBBELL, INC.
 BRIDGEPORT, CONN.
 DR BY A.S.M. APP. BY _____
 TR. BY _____ SCALE FULL
 CHK'D BY _____ DATE 2-19-69