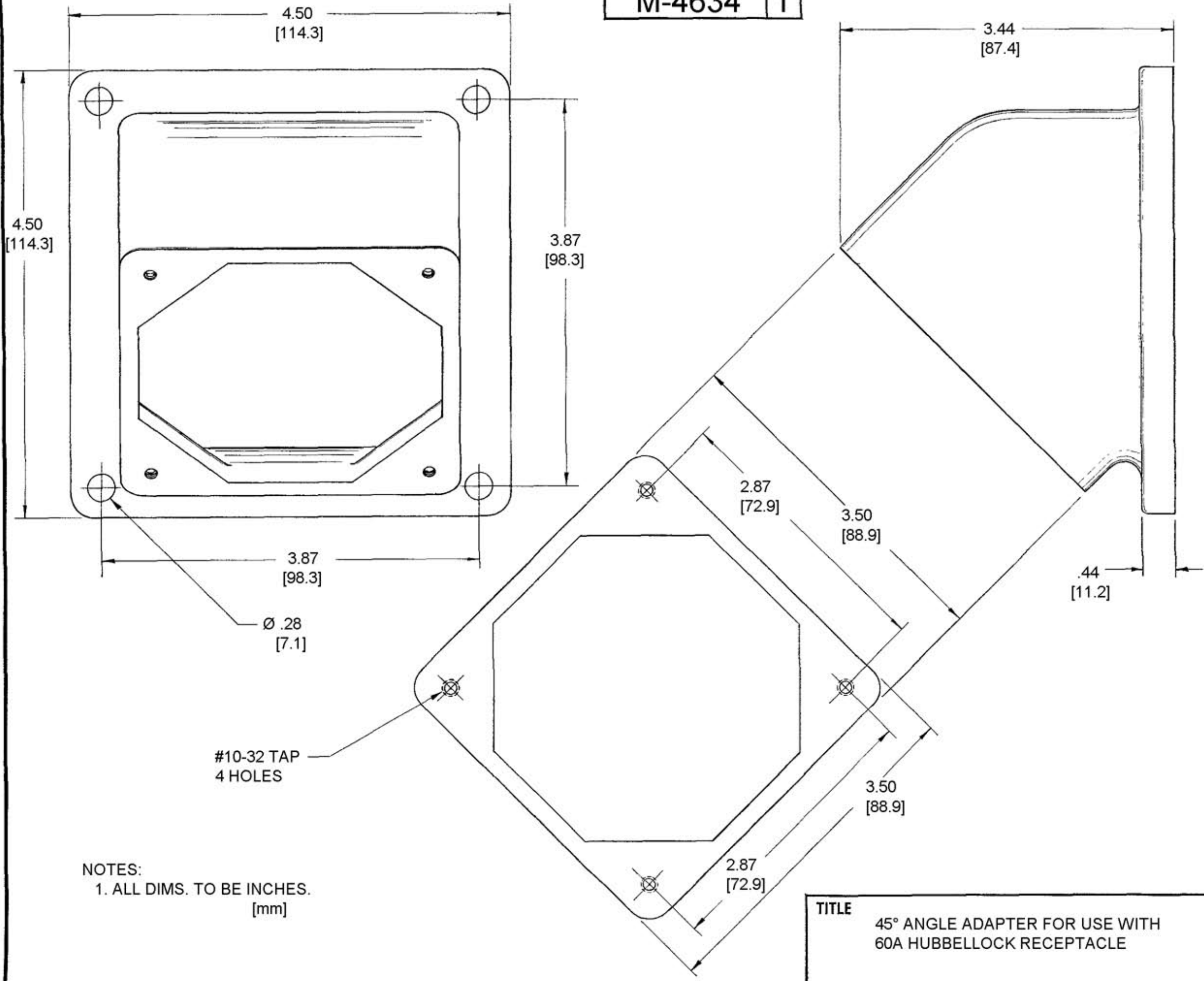


M-4634 1



#10-32 TAP
4 HOLES

NOTES:
1. ALL DIMS. TO BE INCHES.
[mm]

LIST OF PARTS		
DESCRIPTION	MATERIAL	FINISH
ADAPTER	CAST ALUM	LACQUER
GASKET	.062 NEOPRENE	
LOCKWASHERS	STEEL	ZINC PL'T.
M'TNG. SCREWS	STEEL	ZINC PL'T.

DIMENSION SHEET FOR CAT. NO.
HBL26404

REPAIRABLE NON-REPAIRABLE

SYM	REVISIONS	APP	DATE
1	ADDED NOTE 1; REVISED TITLE; "HBL26404" WAS "26404"; CONVERTED ALL DIMS. TO DECIMAL & METRIC PER DCN 11902 RCM	JPP	1/31/05

B

M-4634

TITLE
45° ANGLE ADAPTER FOR USE WITH
60A HUBBELLOCK RECEPTACLE

TOLERANCES UNLESS OTHERWISE SPECIFIED
FRACTIONS ± 1/64
DECIMALS ± .005
ANGLES ± 2°

HARVEY HUBBELL, INC.
BRIDGEPORT, CONN.
DR. BY RAR APP. BY V.F.L.
TR. BY _____ SCALE FULL
CHK'D. BY J.C.H. DATE 4-8-67

1