

Hubbellock® Devices
30A, 600V AC, 20A, 250V DC, 4 Pole, 5 Wire
Grounding

Hubbellock® Plug

Features

- Molded-in male contacts are resistant to damage and provide a consistently positive connection
- Insulated non-metallic housing enhances safety and abuse resistance
- Box terminals in conjunction with screws with pressure pads provide maximum termination strength and dependability
- Three-piece clamp assembly provides maximum strain relief and protects against entry of moisture and dust

Ordering Information

Description	Cord Diameter	UPC	Catalog Number
Black nylon housing, thermoset interior, steel shroud	.760"-1.200" (19.30-30.4)	783585017488	HBL25415B

Listings

Listed to UL Standard
Certified to CSA Standard

Specifications

Device Color	Black/White
Housing	Nylon
Cord Clamp Material	PET
Plug Housing	Thermoset
Contacts	Brass
Terminal Screws	Zinc plated steel
Assembly Screws	Stainless Steel

Performance

Electrical

Current Interrupting	Certified for current interrupting at full rated current
Dielectric Voltage Withstand	2,000V minimum

Mechanical

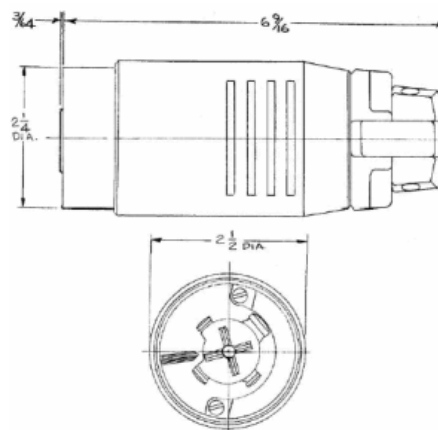
Terminal Accommodation #10 AWG - #6 AWG stranded copper wire only.

Terminal Identification Terminals identified in accordance with UL 498

Environmental

Flammability	UL 94 VO for Receptacles and Inlets. HB or better for Plugs and Connectors
Moisture Resistance	IP30 Suitability
Operating Temperatures	Maximum Continuous 75°C; Minimum -40°C (w/o impact)

HUBBELL



Accessories

Connector	HBL25414B
Single Receptacle	HBL25403
Single Receptacle in Weatherproof Cover	HBL25250

Resources

Customer Use Drawing
eCatalog

Dimensions in Inches (mm)

Hubbell Wiring Device-Kellems • Hubbell Incorporated (Delaware) • 40 Waterview Drive • Shelton, CT 06484

Phone (800) 288-6000 • Fax (800) 255-1031 • Specifications subject to change without notice.

