

Hubbellock® Devices
30A, 600V AC, 20A, 250V DC, 4 Pole, 5 Wire
Grounding

Hubbellock® Connector

Features

- Spring loaded safety shutter contains arcing when mating or un-mating devices under load
- Spring loaded safety shutter automatically ejects the plug eliminating contact teasing
- Box terminals in conjunction with screws with pressure pads provide maximum termination strength and dependability
- Three-piece clamp assembly provides maximum strain relief and protects against entry of moisture and dust

Ordering Information

Description	Cord Diameter	UPC	Catalog Number
Black nylon housing, thermoplastic interior	.700"-1.200" (17.78-30.5)	783585017471	HBL25414B

Listings

Listed to UL 498
Certified to CSA C22.2 No.42

Specifications

Device Color	Black/White
Housing	Nylon
Cord Clamp Material	PET
Contact Housing	PBT
Contacts	Bronze
Shutter	Thermoset
Terminal Screws	Zinc plated steel
Assembly Screws	Stainless Steel

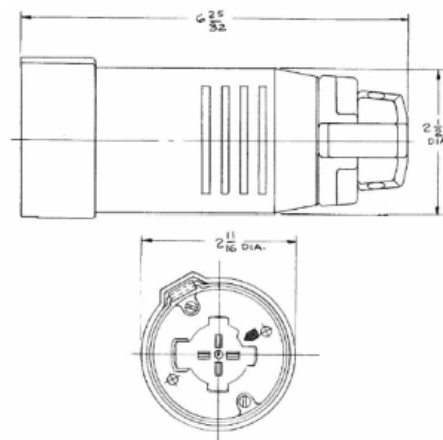
Performance

Electrical	
Current Interrupting	Certified for current interrupting at full rated current
Dielectric Voltage Withstand	2,000V minimum

Mechanical	
Terminal Accommodation	#10 AWG - #6 AWG stranded copper wire only.
Terminal Identification	Terminals identified in accordance with UL 498

Environmental	
Flammability	UL 94 VO for Receptacles and Inlets. HB or better for Plugs and Connectors
Moisture Resistance	IP30 Suitability
Operating Temperatures	Maximum Continuous 75°C; Minimum -40°C (w/o impact)

HUBBELL



Accessories

Plug	HBL25415B
------	-----------

Resources

Customer Use Drawing
eCatalog

Dimensions in Inches (mm)

Hubbell Wiring Device-Kellems • Hubbell Incorporated (Delaware) • 40 Waterview Drive • Shelton, CT 06484

Phone (800) 288-6000 • Fax (800) 255-1031 • Specifications subject to change without notice.

