




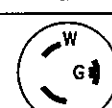
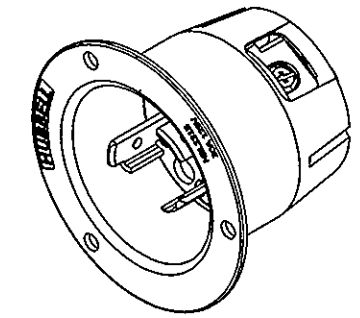


M-7905

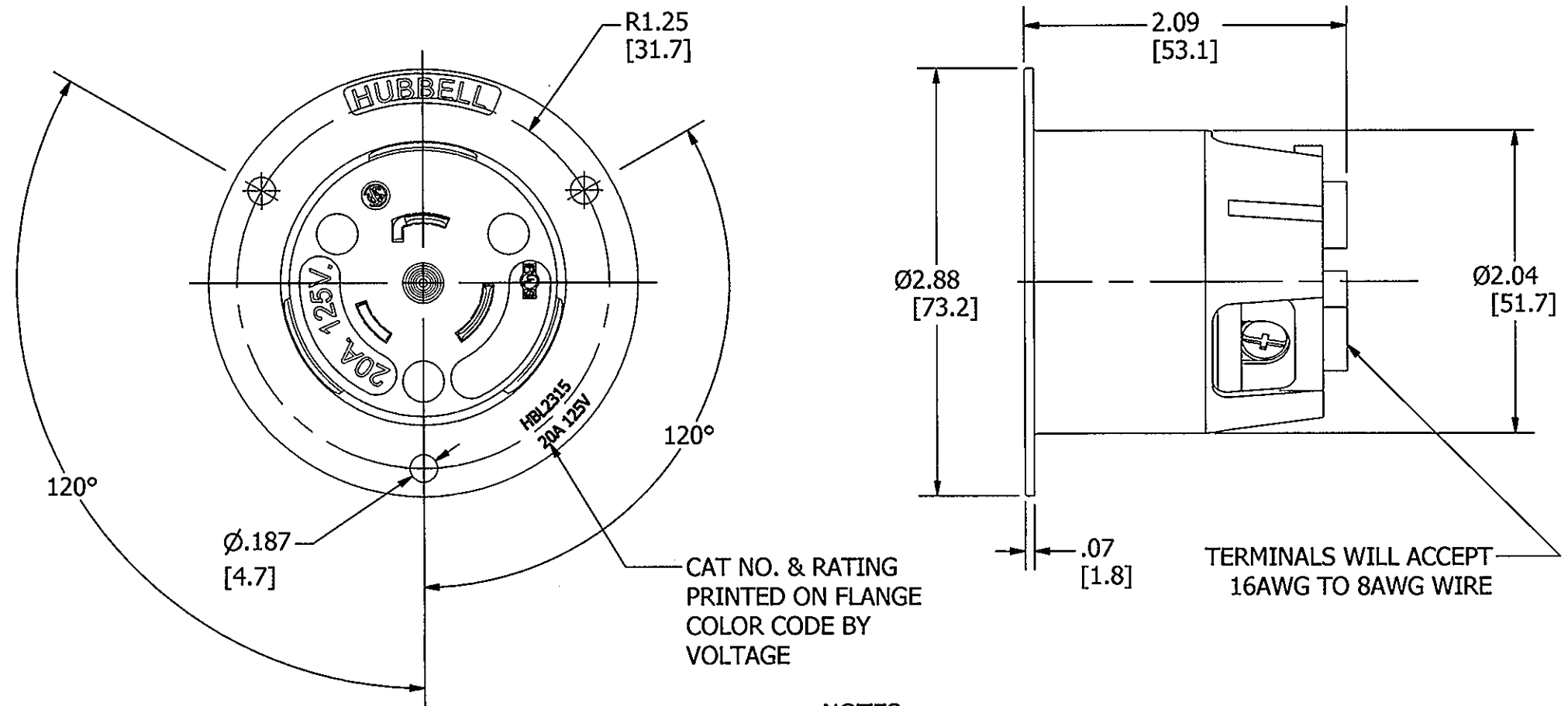
6

NEMA NO.	CONFIGURATION	RATING	POLE/WIRE	CATALOG NO.	VOLTAGE COLOR CODE
L5-20P		125V	2P/3W GROUNDING	HBL2315	YELLOW
L6-20P		250V	2P/3W GROUNDING	HBL2325	BLUE
L7-20P		277VAC	2P/3W GROUNDING	HBL2335	GRAY
L8-20P		480VAC	2P/3W GROUNDING	HBL2345	RED
L9-20P		600VAC	2P/3W GROUNDING	HBL2355	BLACK
L24-20P		347VAC	2P/3W GROUNDING	HBL3725	BLACK

LIST OF PARTS		
DESCRIPTION	MATERIAL	FINISH
CASING	NYLON	NATURAL
BLADE HOLDER	NYLON	NATURAL
RETAINER	POLY CARBONATE	CLEAR
BLADE	.060 BRASS	
WIRE CLAMP	.080 CRS	NICKEL PLATE
#10 TERMINAL SCREWS	BRASS	*
#10 GROUND SCREW	BRASS	GREEN
ASSEMBLY FASTENERS	STEEL	ZINC PLATE
#8 MOUNTING SCREWS	BRASS	NICKEL PLATE



**CATALOG NO. HBL2315
(NOT SHOWN TO SCALE)**



CAT NO. & RATING PRINTED ON FLANGE
COLOR CODE BY VOLTAGE

TERMINALS WILL ACCEPT
16AWG TO 8AWG WIRE

NOTES:

1. DIMENSIONS ARE IN INCHES [mm].
2. ALL SCREWS ARE COMBINATION PHILLIPS/SLOTTED/ROBERTSON HEAD.
3. * WHITE FINISH ON NEUTRAL CONTACT WHEN USED.

REV	DESCRIPTION	APP	DATE
6	ADDED CONFIGURATION COLUMN PER DCN 22264.	MJZ	7/8/16
5	REDRAWN WITH EMBEDDED CAD MODEL WITH NO CHANGES TO PART GEOMETRY. PER DCN 21895 SPN	DJP	2/5/16

THE DESIGN AND DIMENSIONS OF THE PRODUCT SHOWN ON THIS DRAWING ARE SUBJECT TO CHANGE WITHOUT NOTICE

TITLE
20A 3-WIRE TWIST-LOCK FLANGE INLET

TOLERANCES UNLESS OTHERWISE SPECIFIED		WIRING DEVICE-KELLEMS HUBBELL INCORPORATED SHELTON, CT	
.XX = ± .01	.XXX = ± .005	DR. BY B.C.	APP. BY DJP
ANGLES = ± 2'		TR. BY	SCALE 1:1
		CHK. BY DJP	DATE 02/12/98

DIMENSION SHEET FOR CAT. NO. M-7905
 SEE TABLE
 REPAIRABLE
 NON-REPAIRABLE
B
 M-7905
6