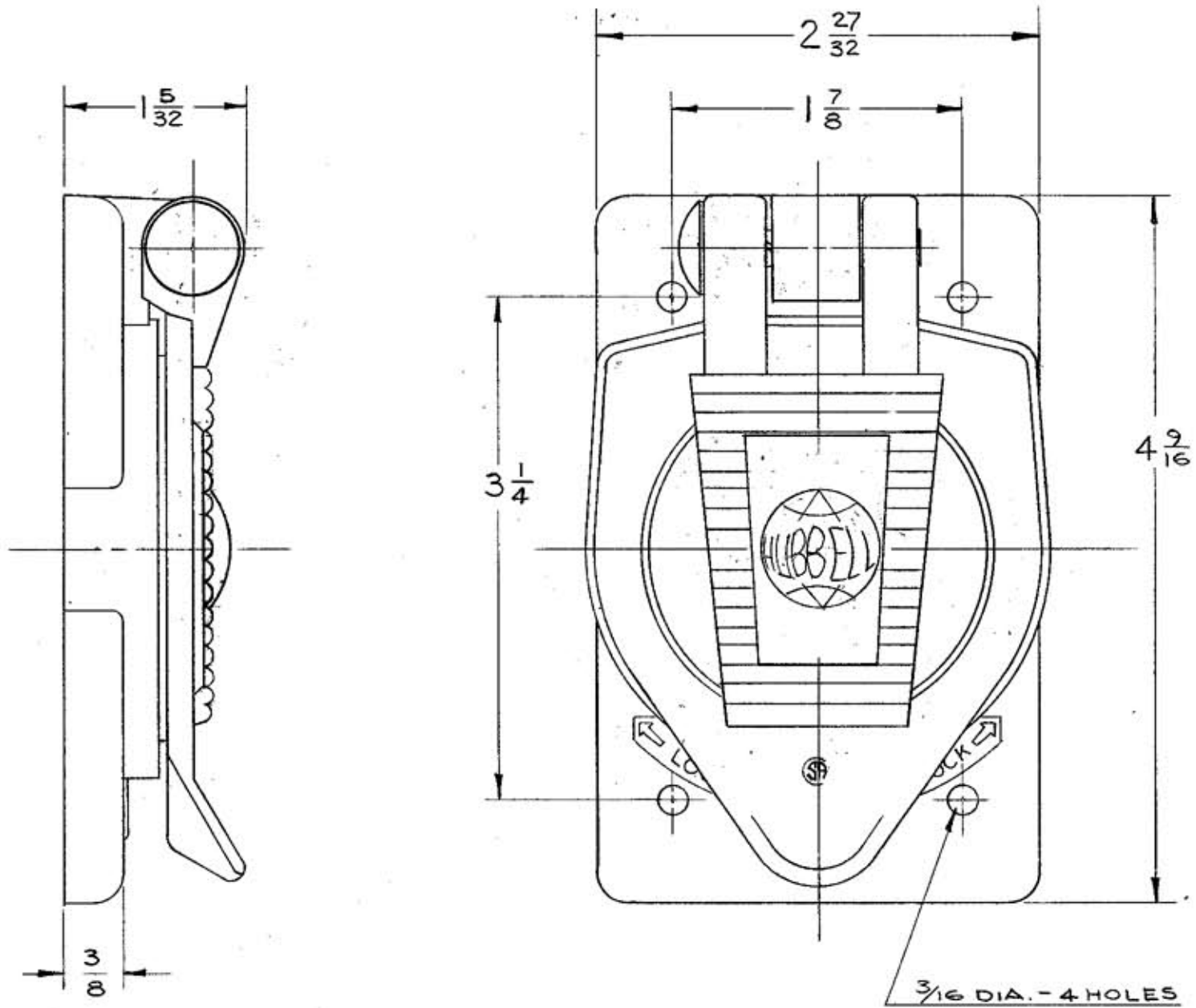


M-4853



LIST OF PARTS		
DESCRIPTION	MATERIAL	FINISH
OUTLET BOX COVER PL.	ALUMINUM	SPRAY LAC.
OUTLET BOX COVER FLAP	ALUMINUM	SPRAY LAC.
RIVET	ALUMINUM	ANODIZE
COIL SPRING	STAIN. ST.	MOLYKOTE
GASKETS	NEOPRENE	GRAY
RETAINING RING	ST. STEEL	

DIMENSION SHEET FOR CAT. NO. 20405

REPAIRABLE NON-REPAIRABLE

B M-4853

SYM	REVISIONS	APP	DATE

TITLE
WEATHERPROOF
LIFT COVER PLATE

TOLERANCES UNLESS OTHERWISE SPECIFIED
FRACTIONS ± 1/64
DECIMALS ± .005
ANGLES ± 2°

HARVEY HUBBELL, INC.
BRIDGEPORT, CONN.
DR. BY ASM APP. BY _____
TR. BY _____ SCALE FULL
CHK'D. BY _____ DATE 10-31-68