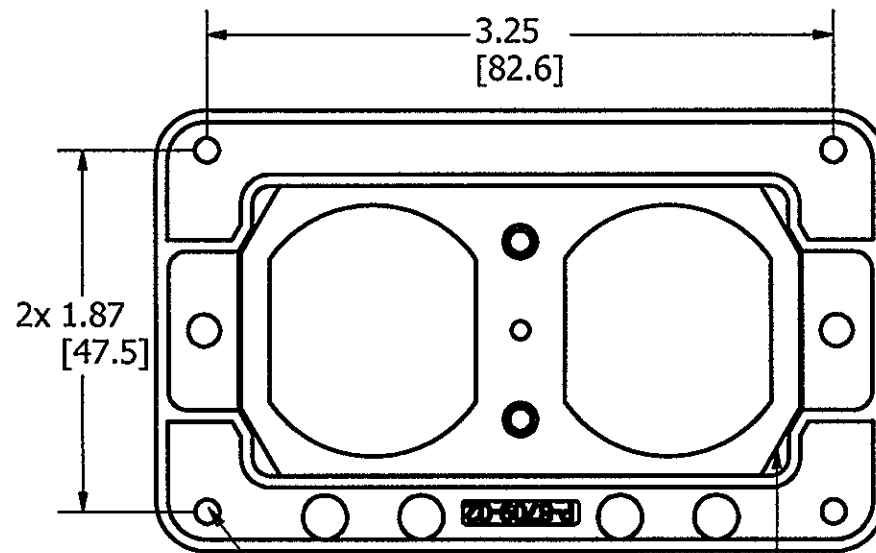
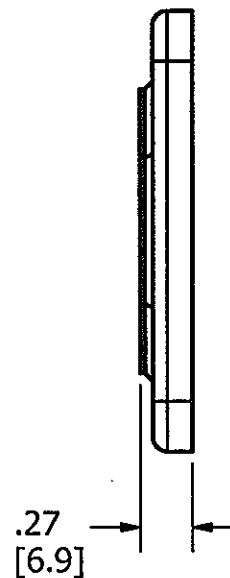
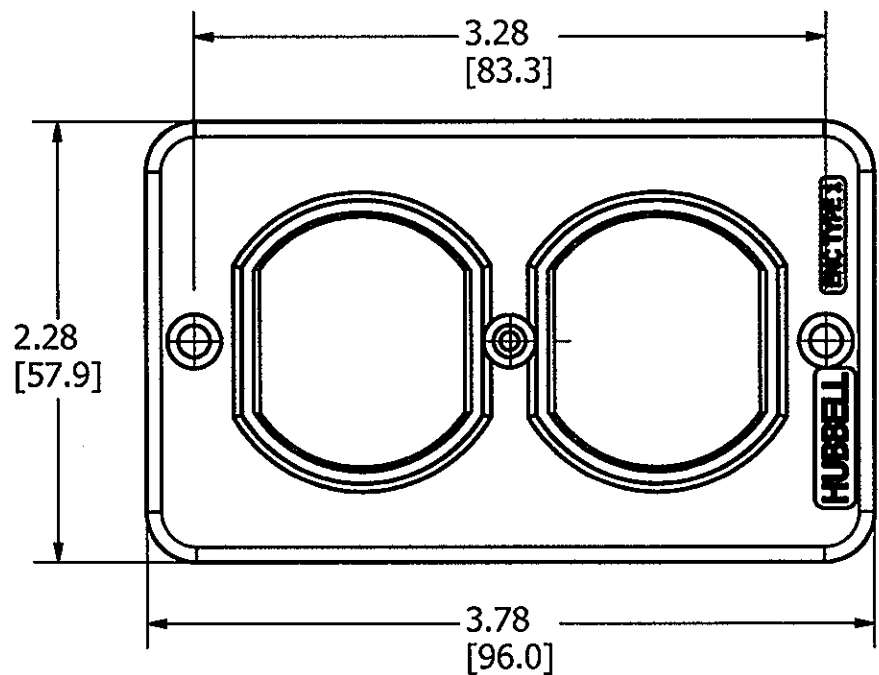


M-12476

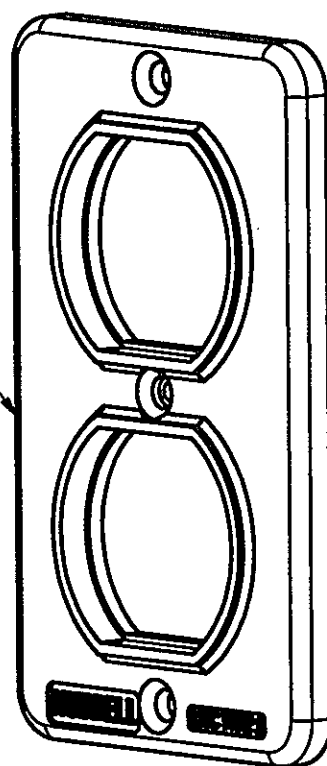
2



DRILL POINTS PROVIDED

GASKET COVERPLATE, ADHESIVE ON ONE SIDE

OUTLET BOX COVER PLATE



NOTES:

- COVER PLATE RATING UL TYPE 1.
- ALL DIMENSIONS IN INCHES AND [MM].

LIST OF PARTS

DESCRIPTION	MATERIAL	FINISH
COVERPLATE	VALOX	GRAY
GASKET COVERPLATE	CLOSE CELL SYNT. RUBBER ADH ONE SIDE	BLACK

SYM	DESCRIPTION	APPRO	DATE
2	04/03/2014 UPDATED COVERPLATE AND ADDED ADH ONE SIDE GASKET PER DCN20407 EB TLS	TLS TLS	

THE DESIGN AND DIMENSIONS OF THE PRODUCT SHOWN ON THIS DRAWING ARE SUBJECT TO CHANGE WITHOUT NOTICE

TITLE OUTLET BOX PLATE, DUPLEX

TOLERANCES UNLESS OTHERWISE SPECIFIED		WIRING DEVICE-KELLEMS HUBBELL INCORPORATED SHELTON, CT	
FRACTIONS	±1/64	DR. BY ebazayev	APP. BY TLS
DECIMALS	±.005	TR. BY	SCALE
ANGLES	±2°	CHK'D BY TLS	DATE 9/3/2013

DIMENSION SHEET FOR CAT. NO. HBL 3051

REPAIRABLE

NON-REPAIRABLE

B

M-12476

2