



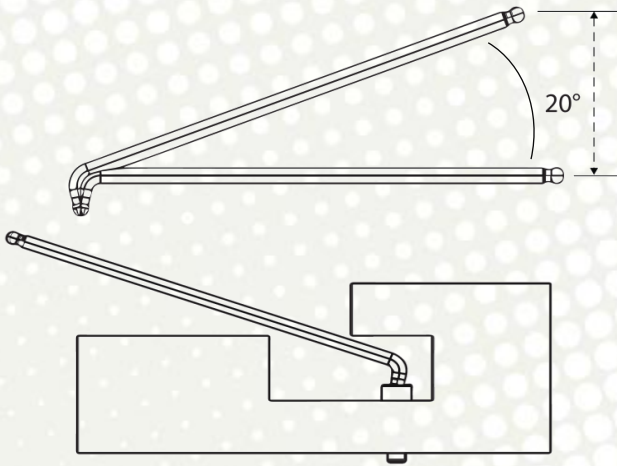
DOUBLE BALL END HEX KEY

The First Ever...

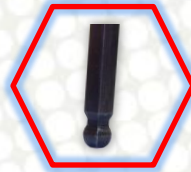
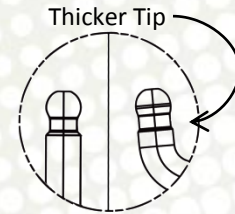
NEW Eklind Double Ball End Hex Key

Do the job faster, easier, and safer

- **Thicker ball tip** on short arm for more torque
- **100° angle** for easier entry
- **20° range** of motion
- **Safely access areas** that are hard to reach
- **Patent Pending:** Like no other hex keys



Allows access to fasteners no other tool can.



Sets		
SIZE	GRAINGER	EKLIND
SAE Set	38TG41	17213
Metric Set	38TG42	17609
SAE Metric Combo Set	38TG43	17222

Standard Sizes		
SIZE	GRAINGER	EKLIND
.050"	38TG44	19203
1/16"	38TG45	19204
5/64"	38TG46	19205
3/32"	38TG47	19206
7/64"	38TG48	19207
1/8"	38TG49	19208
9/64"	38TG50	19209
5/32"	38TG51	19210
3/16"	38TG52	19212
7/32"	38TG53	19214
1/4"	38TG54	19216
5/16"	38TG55	19220
3/8"	38TG56	19224

Metric Sizes		
SIZE	GRAINGER	EKLIND
1.5MM	38TG57	19603
2MM	38TG58	19604
2.5MM	38TG59	19605
3MM	38TG60	19606
4MM	38TG61	19608
5MM	38TG62	19610
6MM	38TG63	19612
8MM	38TG64	19616
10MM	38TG65	19620

Manufacturing



Tool & Die



Maintenance



Electronics

