



### Product Description:

- Bulk Dispenser - Short Single Bin
- Single compartment holds a variety of personal protection apparel, including gloves, bouffant caps, shoe covers, etc.
- Hinged lid
- Keyholes for wall mounting
- Made of stainless steel

### Primary Areas for Product Usage:

- Clean rooms and industrial usage

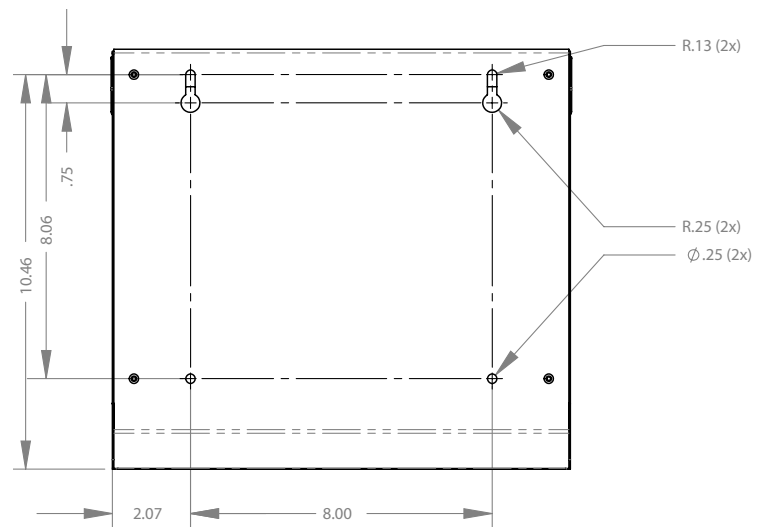
### Package Specifications:

- 14.0"W x 12.0"H x 8.5"D (35.6 cm x 30.5 cm x 21.6 cm)
- 8.00 lbs (3.63 kg) - approximated

### Product Specifications (overall external dimensions):

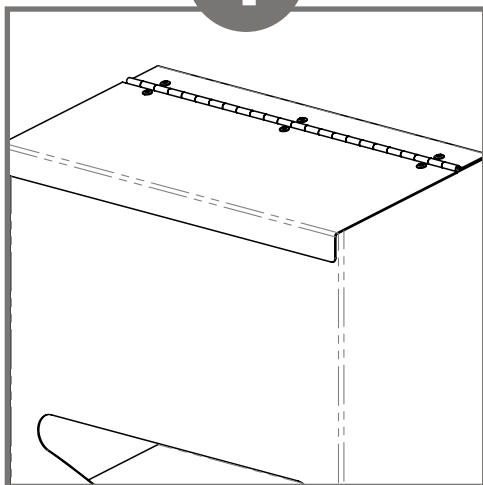
- 12.21"W x 11.13"H x 5.76"D (31.0 cm x 28.3 cm x 14.6 cm)
- 5.25 lbs (2.4 kg) - approximated

### Mounting Specifications:

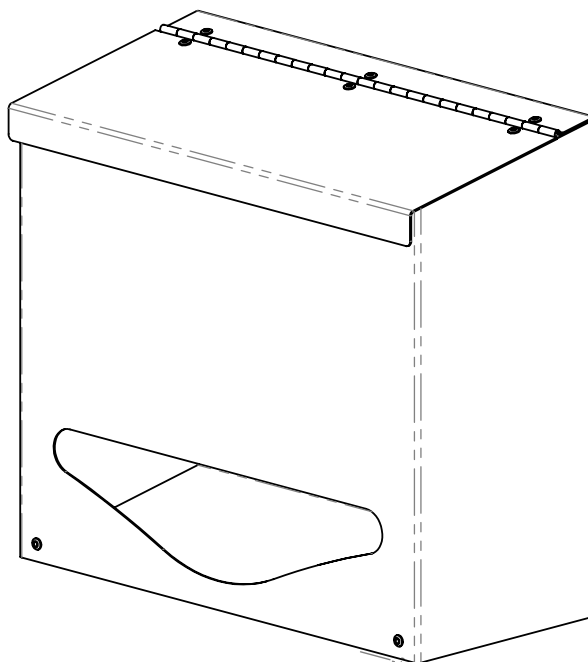




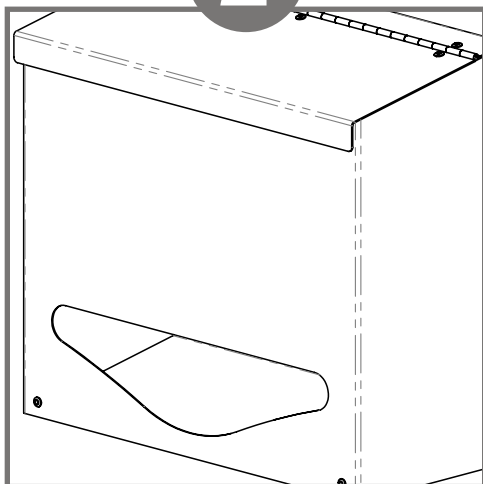
1



Loose product is easily loaded through the hinged lid on top.

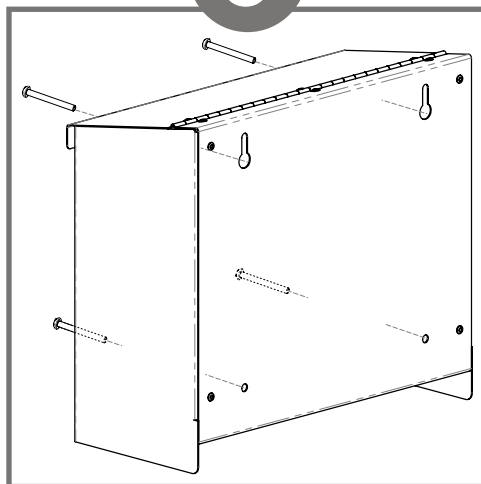


2



Unique shape of pull-opening helps to prevent overdispensing.

3



Dispenser should be mounted securely to a wall through keyholes in back with screws provided and approved by building maintenance.

### Parts included:

- Dispenser

### Tools required:

- No tools are needed to assemble dispenser.



## Advantage

### Designed for Long-Term Heavy-Duty Applications

By its nature, stainless steel is resistant to corrosion and oxidation, yet the bright, easily maintained surface provides a modern and attractive appearance.

## Major Benefits

### *Corrosion Resistance*

Stainless steel is used overwhelmingly for its corrosion resistance characteristics. Along with being sturdy, stainless steel is also fire and heat resistant.

### *Cleaning and Sanitizing*

Stainless steel resists a variety of common chemicals and cleaning agents, including heat. Clean using warm water, a gentle detergent, and soft cloth. Dry thoroughly to avoid spotting. Do not use steel wool.

### *Strength*

Stainless steel has work-hardening properties, giving the material a great strength-to-weight advantage over other materials. It also provides impact resistance and high toughness in extreme temperatures.

### *Appearance*

Stainless steel's bright, stain resistant surface provides a pleasing aesthetic appearance. The reflective qualities project a bold professional image.

