

*Please read and save these instructions. Read through this owner's manual carefully before using product. Protect yourself and others by observing all safety information, warnings, and cautions. Failure to comply with instructions could result in personal injury and/or damage to product or property. Please retain instructions for future reference.*

# **WESTWARD®**

## **Auto Darkening Welding Helmet**

---

### **Description**

Fully automatic variable shade 9-13 cartridge switches from light to dark on striking arc. Fitted with solar power panel and two replaceable AAA batteries. Features sensitivity and delay speed control for switching from dark to light. This helps to prevent arc eye when welding at high power, while still providing fast switching for tack welding. Deluxe contoured helmet design gives full neck protection and protects lens from scratching when helmet is laid down. Features comfortable headband and non-slip quick-release ratchet mechanism. Suitable for MIG, TIG and arc welding.

The helmet is not suitable for use with laser welding or gas welding/cutting and will not protect against explosive devices or corrosive liquids.

Pitted or scratched cover lens reduce vision clarity, severely reduce impact protection and should be replaced immediately to prevent injury.

Optional accessories: magnifier lens, soft bag for helmet.

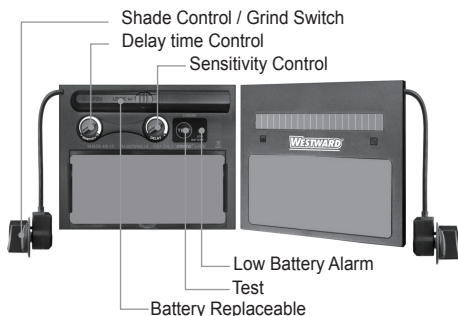




## Auto Darkening Welding Helmet

### Specifications and Dimensions

Viewing Area	98x44mm (3.86"x1.73")
Cartridge Size	110x90x9mm (4.33"x3.54"x0.35")
Arc Sensor	2
Light State	DIN 3.5
Dark Shade	DIN 9 ~ 13
Shade Control	External, Variable Shade
Power On/Off	Fully Automatic
Sensitivity Control	Adjustable by infinitely dial knob
UV/IR Protection	Up to Shade DIN16 at all times
Power Supply	Solar cell. Battery replaceable 2 x AAA Alkaline batteries
Low Battery Alarm	Red Light
Switching Time	1/25,000 s. from Light to Dark
Delay (Dark to Light)	0.1 ~ 1.0 s by infinitely dial knob
Low Amperage TIG Rated	≥ 5 amps (DC); ≥ 5 amps (AC)
Grinding	Yes
Operating Temp.	-10 °C ~ +55 °C (14 °F ~ 131 °F)
Storing Temp.	-20 °C ~ +70 °C (- 4 °F ~ 158 °F)
Helmet Material	High Impact Resistance Nylon
Total Weight	490.8g
Application Range	Stick Welding (SMAW); TIG DC&AC; TIG Pulse DC; TIG Pulse AC; MIG/MAG/CO <sub>2</sub> ; MIG/MAG Pulse; Plasma Arc Cutting (PAC); Plasma Arc Welding (PAW); Air Carbon Arc Cutting (CAC-A); Grinding
Standard	ANSI Z87.1, CSA Z94.3





## Auto Darkening Welding Helmet

### General Safety Information

Auto-Darkening welding helmets are designed to protect the eyes and face from sparks, spatter, and harmful radiation under normal welding conditions. Auto-Darkening filter models automatically change from a light to dark state when an arc is struck, and it returns to the light state when welding stops.

Auto-Darkening welding helmets come ready for use. Follow all "safety" warnings, make all helmet fit adjustments, and select the correct shade number for your welding application prior to use.

#### ⚠ CAUTION

- Never place this helmet and Auto Darkening filter on a hot surface.
- Never open or tamper with the Auto Darkening filter.
- Should this helmet not darken upon striking an arc, stop welding immediately and contact your supervisor or your dealer.
- Do not immerse the filter in water.
- Do not use any solvents on the filter screen or helmet components.

#### ⚠ WARNING

- This Auto-Darkening welding helmet is not suitable for laser welding and oxyacetylene welding / cutting processes.
- This Auto-Darkening welding helmet will not protect against severe impact hazards.
- This helmet will not protect against explosive devices or corrosive liquids.
- The materials which may come into contact with the wearers skin can cause allergic reactions in some circumstances.

#### ⚠ DANGER

- Do not make any modifications to either the filter or helmet, unless specified in this manual. Do not use replacement parts other than those specified in this manual. Unauthorized modifications and replacement parts will void the warranty and expose the operator to the risk of personal injury.

### NOTE: BEFORE FIRST USE

- 1) Remove the protective shipping film from both sides of the front lens (if not already done).
- 2) The helmet comes assembled. Before it can be used, the headgear must be adjusted for proper fit, delay time, sensitivity, and shade level.
- 3) Please install AAA Alkaline batteries (2 required) before using this product. The helmet should be stored in a dry, cool and dark area with the battery removed when not in use.

### Operation

#### ADJUSTING THE HELMET FIT

- The overall circumference of the headband can be made larger or smaller by pushing in and rotating the knob on the back of the headband (see Fig.1-Y). This can be done while wearing the helmet and allows just the right tension to be set to keep the helmet firmly on the head without it being too tight.
- If the headband is riding too high or too low on your head, adjust the strap that passes over the top of your head. To do this, release the end of the band by pushing the locking pin out of the hole in the band. Slide the two portions of the band to a greater or lesser width as required and push the locking pin through the nearest hole (see Fig.1-W).
- Test the fit of the headband by lifting up and closing the helmet a few times while wearing it. If the headband moves while tilting, re-adjust it until it is stable.

#### ADJUSTING THE DISTANCE BETWEEN THE HELMET AND THE FACE

- Step 1: Undo the block nut (see Fig.1-T) to adjust the distance between the helmet and your face in the down position.
- Step 2: Loosen the block nut on either side of the helmet and slide it towards or away from your face (see Fig.1-Z). It is important that your eyes are each the same distance from the lens, otherwise the darkening effect may appear uneven.



Step 3: Re-tighten the block nut when adjustment is satisfactory.

**ADJUSTING VIEW ANGLE**

There are 5 holes on both sides of the helmet (see Fig.2). You can change view angle position by moving the adjustable limitation washer into different holes.

**SELECTING SHADE LEVEL**

Select the shade level you require according to the welding process you will use by referring to the “Shade Guide Table” below for settings. Turn the shade control knob on the side of the helmet to the shade number required.

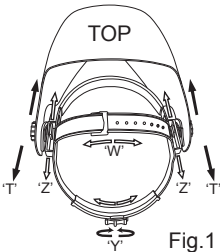


Fig.1



Fig.2

**SELECTING DELAY TIME**

When welding ceases, the viewing window automatically changes from dark back to light but with a pre-set delay to compensate for any bright afterglow on the workpiece. The delay time / response can be set to “S” (short: 0.1 sec.) or “L” (long: 1.0 sec.). As you require using the infinitely dial knob on the back of the shade cartridge (see Fig.3a). It is recommended to use a shorter delay with spot welding applications and a long delay with applications using higher currents. Longer delays can also be used for lower current TIG welding, and TIG / MIG / MAG pulse.



Fig.3a



Fig.3b

**Auto Darkening Welding Helmet**

**SENSITIVITY**

The sensitivity can be set to “H”(high) or “L”(low) by using the infinitely dial knob on the back of the shade cartridge. The “Mid-High” setting is the normal setting for everyday use. The maximum sensitivity level is appropriate for low welding current work, TIG, or special applications. Where the operation of the helmet is disturbed by excess ambient light, or another welding machine close by, use the “low” setting (see Fig.3b). As a simple rule for optimum performance, it is recommended to set sensitivity to the maximum at the beginning and then gradually reduce it, until the filter reacts only to the welding light flash and without annoying spurious triggering due to ambient light conditions (direct sun, intensive artificial light, neighbouring welder's arcs etc.).

**SELECTING THE GRIND OPTION**

When the shade knob is turned to the “grind” position, the shade function is turned off allowing a clear view to grind a weld with the helmet providing face protection. Before restarting welding work, Ensure that the shade function is turned back on before welding again (see Fig.4).

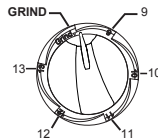


Fig.4

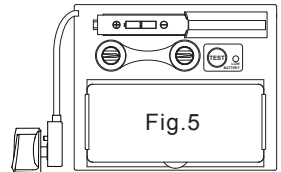


Fig.5

**TEST**

Press and hold test to preview shade selection before welding (see Fig.5). When released then viewing window will automatically return to the light state (3.5 Shade).

**POWER**

This ADF cartridge is powered by solar cell and 2 AAA alkaline batteries. Replace batteries when LOW BATTERY light is lit (see Fig.5).

You are now ready to use the helmet. The shading may be adjusted during use by re-setting potentiometer control.



## Auto Darkening Welding Helmet

### SHADE SELECTION GUIDE (Figure 3C)

(NO.1)

Welding Process	ARC CURRENT (Amperes)													
	0.5	2.5	10	20	40	80	125	175	225	275	350	450		
	1	5	15	30	60	100	150	200	250	300	400	500		
SMAW					9	10		11		12		13		14
MIG(heavy)							10	11		12		13		14
MIG(light)							10	11	12	13		14		15
TIG(GTAW)			9	10		11		12		13		14		
MAG/CO2						10	11	12		13		14		15
SAW								10	11	12	13	14	15	
PAC								11		12		13		
PAW			8	9	10	11		12		13		14		15

#### NOTE:

SMAW: Shielded Metal Arc Welding  
 SAW: Shielded Semi-Automatic Arc Welding  
 PAW: Plasma Arc Welding  
 PAC: Plasma Arc Cutting

MIG (Heavy): MIG on Heavy Metals  
 TIG (GTAW): Gas Tungsten Arc Welding  
 MIG (Light): MIG on Light Alloys  
 MAG/CO2: Metal Active Gas

### Maintenance

#### MINOR AND ROUTINE MAINTENANCE

1. Use only at temperatures: -10 °C ~ +55 °C (14 °F ~ 131 °F).
2. Storing temperature: -20 °C ~ +70 °C (-4 °F ~ 158 °F). The helmet should be stored in a dry, cool and dark area with the battery removed when not in use.
3. Protect filter from contacting with liquid and dirt.
4. Clean the filter surface regularly; do not use strong cleaning solutions. Always keep the sensors and solar cells clean using a clean, lint-free tissue.
5. Replace the front lens cover if it becomes cracked, scratched or pitted.

#### MAJOR MAINTENANCE, SERVICE, AND PART REPLACEMENT

##### 1. REPLACING FRONT COVER LENS.

Replace the front cover lens if it is damaged (cracked or pitted). Place your finger or thumb into the recess at the bottom edge of the window and flex the window upwards until it releases from one edge (see Fig.6).

##### 2. REPLACING THE INSIDE COVER LENS.

Replace the inner cover lens if it is damaged (cracked or pitted). Place your finger or thumb into the recess at the upper edge of the window and flex the window upwards until it releases from one edge.

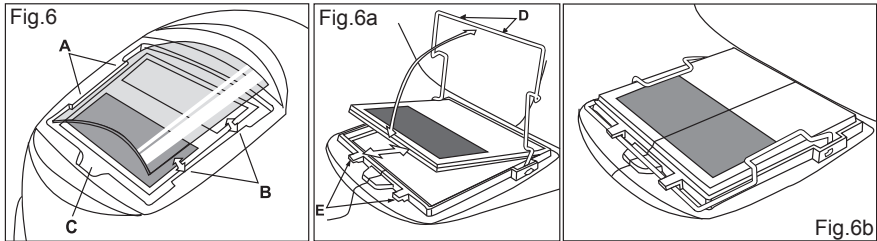
##### 3. CHANGING THE SHADE CARTRIDGE.

Loosen the holding spring (see Fig.6a-D), move out the shade cartridge and put new shade cartridge into the filter frame; affix the cartridge by using the spring (see Fig.6a-E).

##### 4. FITTING NEW CARTRIDGE.

Take the new shade cartridge and pass the potentiometer cable under the wire loop before dropping the cartridge into its retaining frame inside the helmet. Hinge down the wire loop clip and ensure that the front edge of the loop is properly retained under the retaining lugs as shown in Fig. 6b.

5. Fasten the potentiometer to the inside of the helmet with the shaft protruding through the hole. Push the shade control knob onto the shaft.

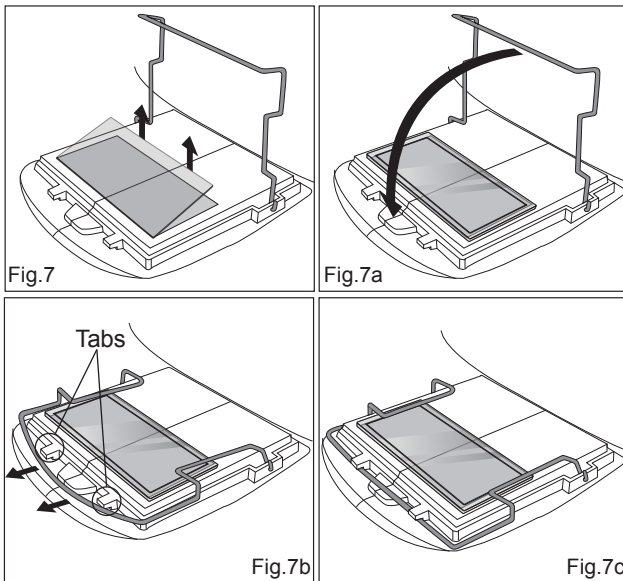
**WESTWARD®****Auto Darkening Welding Helmet****6. CLEANING.**

Clean helmet by wiping with a soft cloth. Clean cartridge surfaces regularly. Do not use strong cleaning solutions. Clean sensors and solar cells with methylated spirit (ethyl alcohol 95% and methyl alcohol 5%) and a clean cloth and wipe dry with a lint-free cloth.

**7. INSTALLING A MAGNIFYING LENS**

① Take off the inner cover lens (see Fig.7).

- ② Flip up the holding spring and put the magnifier lens on the filter with the smooth surface upside (see Fig.7a).  
 ③ Pull the holding spring towards yourself in order to lock it by the tabs on the helmet (see Fig.7b).  
 ④ Now it is ready to use (see Fig.7c).  
 When you don't need the magnifier lens, please take it off and affix the inner cover lens onto the filter.





## Auto Darkening Welding Helmet

### Troubleshooting Chart

Symptom(s)	Possible Causes(s)	Corrective Action(s)
Irregular darkening or dimming	Headband has been set unevenly on the two sides of the helmet, resulting in an uneven distance from the eyes to the filter lens.	Adjust the headband to reduce the difference in distances to the filter.
Auto-Darkening filter does not darken or flickers	1. Front cover lens is dirty or damaged.	1. Change the cover lens.
	2. Sensors are dirty.	2. Clean the sensors surface.
	3. Welding current is too low.	3. Adjust the sensitivity setting higher. Increase the delay time if necessary.
	4. The batteries are not placed correctly or out of power.	4. Reinstall or replace batteries.
Slow response when darkening	Operating temperature is too low.	Do not use at temperatures below -10 °C or 14 °F.
Poor vision	1. Lens and/or filter are dirty.	1. Clean or change lens.
	2. There is insufficient ambient light.	2. Provide sufficient ambient light.
	3. Shade number is incorrectly set.	3. Reset the shade number.
	4. Headband is not properly adjusted.	4. Readjust the headband.
Welding helmet slips	Headband is not properly adjusted.	Readjust the headband.

### WARRANTY

#### LIMITED 3 YEAR WARRANTY

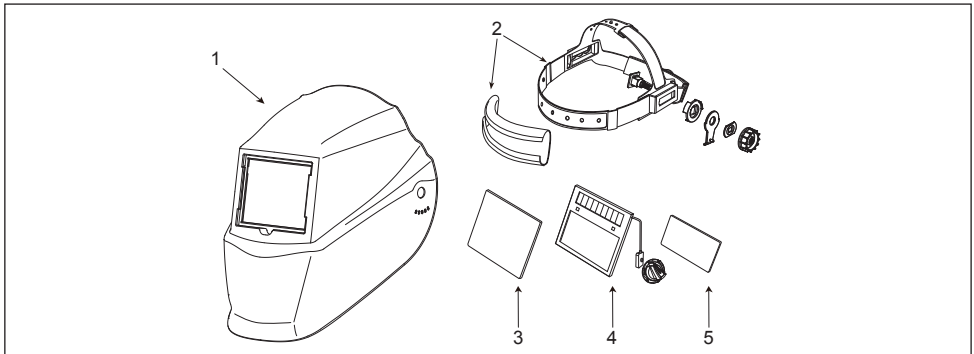
Should this product fail to perform to satisfaction due to a defect or poor workmanship within 3 YEARS from the date of purchase, return it to the place of purchase. It will be replaced, free of charge. Incidental or consequential damages are excluded from this warranty.



## Auto Darkening Welding Helmet

**For Repair Parts, call 1-800-323-0620**  
**24 hours a day – 365 days a year**

Figure – Repair Parts Illustration for Model(s) 33N556



### Repair Parts List

Reference Number	Description	Part Number	Qty.
1	33N556 Shell (Welding mask)	TTIX700SG	1
2	Headband	TTADFHGG	1
3	Front Cover Lens	TTADF2X4FG	1
4	Auto-Darkening Filter		1
5	Inside Cover Lens		1



Lea y ahorre por favor estas instrucciones. Lea a través del manual de este dueño cuidadosamente antes de usar el producto. Protéjase y a otros observando toda la información de seguridad, advertencias, y precauciones. El fracaso para cumplir con instrucciones podría dar lugar a daños corporales y/o a daño al producto o a la propiedad. Conserve por favor las instrucciones para la referencia futura.

# **WESTWARD®**

## **Casco de Oscurecimiento Automático de la Soldadura**

### **Descripción**

El cartucho 9-13 de la sombra variable automática cambia de luz al oscuro para generar arco que se equipa con el panel de energía solar y dos pilas AAA, así como tiene la sensibilidad y el control de velocidad de retardo para la conmutación de oscuro a la luz. Esto ayuda a prevenir el ojo del arco al soldar en el poder más elevado, mientras que todavía proporciona la transferencia rápida para la soldadura por puntos. El diseño contorneado de lujo del casco da la protección completa del cuello y protege la lente contra el rasguño cuando se coloca el casco. Ofrece la venda cómoda y el mecanismo de suelta rápida antideslizante del trinquete. Conveniente para MIG, TIG y la soldadura al arco.

El casco no es conveniente para el uso con la soldadura de laser o la soldadura oxiacetilénica/el corte y no protegerá contra los aparatos explosivos o los líquidos corrosivos.

La lente marcada con hoyos o rasguñada de la cubierta reduce claridad de la visión, reduce seriamente la protección del impacto y se debe substituir inmediatamente para evitar lesión.

Accesorios opcionales: lentes de lupa, bolso suave para el casco.

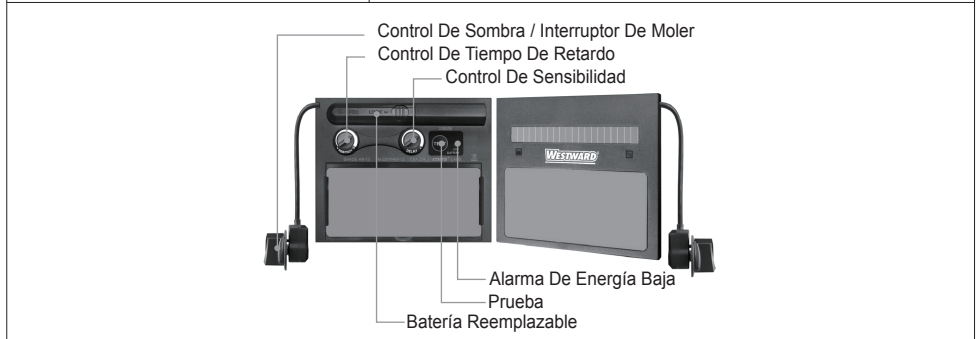




**Casco de Oscurecimiento Automático de la Soldadura**

**Especificaciones y dimensiones**

Área de visión	98x44mm (3.86"x1.73")
Tamaño del cartucho	110x90x9mm (4.33"x3.54"x0.35")
Sensor del arco	2
Estado ligero	DIN 3.5
Sombra oscura	DIN 9 ~ 13
Control de sombra	Externo, sombra variable
Encendido/apagado de Potencia	Completamente automático
Control de sensibilidad	Ajustable por infinitamente el botón de dial
Protección contra UV/IR	Hasta la sombra DIN16 en todo momento
Suministro de electricidad	Célula solar. Batería reemplazable 2 Baterías alcalinas de x AAA
Alarma de energía baja	Luz roja
Tiempo de conmutación	1/25.000 s. de Claro a Oscuridad
Retraso (de Oscuro a Claro)	0.1 ~ 1.0 por infinitamente el dial
Amperaje bajo de TIG clasificado	≥ 5 amps (DC); ≥ 5 amps (AC)
Pulido	Sí
Temperatura de operación	-10 °C ~ +55 °C (14 °F ~ 131 °F)
Temperatura de almacén	-20 °C ~ +70 °C (-4 °F ~ 158 °F)
Material del casco	Nilón de alto impacto de la resistencia
Peso total	490.8g
Alcance de aplicación	Soldadura del palillo (SMAW); DC&AC deTIG, Pulso DC de TIG; Pulso de AC de TIG; MIG/MAG/CO2; Pulso de MIG/MAG; Corte por arco de plasma (PAC); Soldadura por arco de plasma (PAW); Corte de arco de carbono de aire (CAC-A); Molturación
Estándar	ANSI Z87.1, CSA Z94.3





## Casco de Oscurecimiento Automático de la Soldadura

### Información general de seguridad

Los cascos de soldadura de oscurecimiento automático están diseñados para proteger los ojos y la cara contra chispas, salpicaduras y radiaciones nocivas bajo condiciones normales de soldadura. Los modelos del filtro de oscurecimiento automático cambian automáticamente de claro al estado oscuro cuando se golpea un arco, y devuelve al estado claro cuando la soldadura se detiene.

Los cascos de soldadura de oscurecimiento automático vienen listos para su uso. Siga todas las advertencias de "seguridad", haga todos los ajustes aptos del casco, y seleccione el número correcto de la sombra para su uso de la soldadura antes de uso.

#### **▲ PRECAUCIÓN**

- Nunca coloque este casco y filtro de oscurecimiento automático a una superficie caliente.
- Nunca abra o manipule el filtro de oscurecimiento automático.
- Si este casco no se oscurece sobre la acufación un arco, pare la soldadura inmediatamente y entre en contacto con su supervisor o a su distribuidor autorizado.
- No sumerja el filtro en agua.
- No utilice ninguna solventes en la pantalla de filtro o los componentes del casco.

#### **▲ ADVERTENCIA**

- Este casco de soldadura de oscurecimiento automático no es adecuado para la soldadura láser y la soldadura oxiacetilénica / procesos de corte.
- Este casco de oscurecimiento automático de la soldadura no protegerá contra peligros severos del impacto.
- Este casco no protegerá contra los aparatos explosivos o los líquidos corrosivos.
- Los materiales que pueden entrar en el contacto con el piel de los portadores pueden causar las reacciones alérgicas en algunas circunstancias.

#### **▲ PELIGRO**

- No haga ninguna modificaciones al filtro o al casco, a menos que se especifique en

este manual. No utilice las piezas de recambio con excepción de ésos especificadas en este manual. Las modificaciones y las piezas de recambio desautorizadas anularán la garantía y expondrán el operador al riesgo de daños corporales.

#### **NOTA: ANTES DEL PRIMER USO**

- 1) Quite la película protectora del envío de ambos lados de las lentes delanteras (si no hecho ya).
- 2) El casco viene montado. Antes de que pueda ser utilizado, el sombrero se debe ajustar por ajuste, tiempo de retraso, sensibilidad, y nivel apropiados de la sombra.
- 3) Instale por favor las pilas alcalinas AAA (2 requeridos) antes de usar este producto. El casco se debe almacenar en un área seca, fresca y oscura con la batería quitada cuando es parado.

### Operación

#### **AJUSTAR EL CASCO ADECUADO**

- La circunferencia total de la venda se puede hacer más grande o más pequeña empujando hacia adentro y girando el botón en la parte de atrás de la venda (véase Dibujo.1-Y). Esto se puede hacer mientras que lleva el casco y permite que apenas la tensión correcta sea fijada para mantener firmemente el casco en la cabeza sin lo que sea demasiado apretado.
- Si la venda está montando demasiado alto o demasiado bajo en su cabeza, ajuste la correa que pasa sobre el top de su cabeza. Para hacer esto, lance el extremo de la banda empujando la clavija de cierre del agujero en la banda. Deslice las dos porciones de la banda hacia un mayor o poca anchura como sea necesario y empuje la clavija de cierre a través del agujero más cercano (véase Dibujo.1-W).
- Pruebe el ajuste de la venda levantando el plumón ascendente y cerrado el casco algunas veces mientras que lo lleva. Si la venda se mueve mientras que se inclina, lo reajusta hasta que sea estable.

#### **AJUSTE DE LA DISTANCIA ENTRE EL CASCO Y LA CARA**



**Casco de Oscurecimiento Automático de la Soldadura**

Paso 1: Deshaga la nuez del bloque (véase Dibujo.1-T) para ajustar la distancia entre el casco y su cara en la posición de abajo.

Paso 2: Afloje la nuez del bloque a cada lado del casco y resbálela hacia o lejos de su cara (véase Dibujo.1-Z). Es importante que sus ojos son cada la misma distancia de la lente, si no el efecto de oscurecimiento puede aparecer desigual.

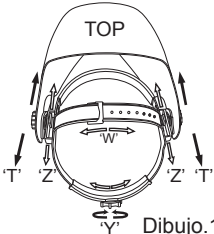
Paso 3: Vuelva a apretar la nuez del bloque cuando el ajuste es satisfactorio.

**AJUSTE DEL ÁNGULO DE VISTA**

Hay 5 agujeros a ambos lados del casco (véase Dibujo.2). Usted puede cambiar la posición del ángulo de visión moviendo la lavadora ajustable de la limitación en diversos agujeros.

**SELECCIÓN DEL NIVEL DE LA SOMBRA**

Seleccione el nivel de la sombra que usted requiere según el proceso de la soldadura usted utilizará refiriendo "a la tabla de la guía de la sombra" abajo para los ajustes. Dé vuelta al botón de control de la sombra en el lado del casco al número de la sombra requerido.



Dibujo.1



Dibujo.2

**SELECCIÓN DE TIEMPO DE RETRASO**

Cuando la soldadura cesa, la ventana de visión cambia automáticamente de oscuridad a claro de nuevo pero con un retraso pre-establecido para compensar cualquier brillo luminoso prolongado en la pieza de trabajo. El tiempo de retraso / la respuesta se puede fijar a "S" (corto: 0,1 sec.) o "L" (largo: sec 1,0.). Como necesite utilizar el marcar infinitamente la perilla en la parte posterior del cartucho de color (ver Dibujo.3a). Se recomienda utilizar un retardo corto con mucho retraso y aplicaciones de soldadura con aplicaciones que utilizan altas corrientes.

Demoras más largas también pueden utilizarse para la menor corriente soldadura de TIG y el pulso de TIG y TIG / MIG / MAG.



Dibujo.3a



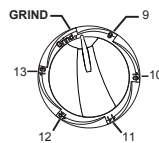
Dibujo.3b

**SENSIBILIDAD**

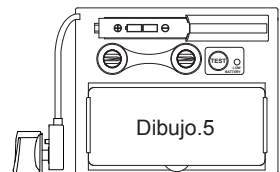
La sensibilidad se puede fijar a "H" (alto) o a "L" (bajo) usando infinitamente el botón del dial en la parte de atrás del cartucho de la sombra. El "Mediado-Alto" ajuste es el ajuste normal para el uso diario. El nivel máximo de la sensibilidad es apropiado para el trabajo actual bajo de soldadura, el TIG, o los usos especiales. Donde la operación del casco es perturbada por exceso de luz ambiente, u otro cierre de la soldadora cerca, utilice el ajuste del "bajo" (véase Dibujo.3b). Como la regla simple para el funcionamiento óptimo, se recomienda para fijar sensibilidad al máximo al principio y después para reducirla gradualmente, hasta que el filtro reaccione solamente al flash de la luz de la soldadura y sin la molestia de accionar falso debido a las condiciones ligeras ambiente (sol directo, a la luz artificial intensiva, a los arcos del soldador vecino, etc.).

**SELECCIÓN DE LA OPCIÓN DE MOLIDO**

Cuando el botón de la sombra se da vuelta a la posición de la "molido", la función de la sombra se da vuelta de permitir que una visión clara muela una soldadura con el casco que proporciona la protección de la cara. Antes de recomenzar el trabajo de la soldadura, asegúrese de que la función de la sombra está dada vuelta detrás encendido antes de soldar con autógena otra vez (véase Dibujo.4).



Dibujo.4



Dibujo.5



**Casco de Oscurecimiento Automático de la Soldadura**

**PRUEBA**

Presione y guarde pruebas para ver la selección de la sombra de antemano antes de la soldadura (véase Dibujo.5). Cuando entonces se lanza la ventana de visión, se volverá automáticamente al estado ligero (la sombra 3,5).

**POTENCIA**

Este cartucho de ADF es alimentado por la

célula solar y 2 pilas alcalinas de AAA. Sustituya las baterías cuando se enciende la luz de ENERGÍA BAJA (véase Dibujo.5).

Ahora estás listo para usar el casco. El sombreado se puede ajustar durante el uso mediante el reajuste del control del potenciómetro.

**GUÍA DE LA SELECCIÓN de SOMBRA (Dibujo 3C)**

(NO.1)

Proceso de la soldadura	CORRIENTE DE ARCO (amperios)															
	0.5	2.5	10	20	40	80	125	175	225	275	350	450				
SMAW					9	10		11		12		13		14		
MIG(pesado)							10	11		12		13		14		
MIG(ligero)							10	11	12	13	14	15				
TIG(GTAW)			9	10	11	12			13		14					
MAG/CO2						10	11	12		13		14		15		
SAW								10	11	12	13	14	15			
PAC								11		12		13				
PAW			8	9	10	11	12		13		14		15			

**NOTA:**

SMAW: Soldadura al arco blindada de metal  
 SAW: Soldadura al arco semiautomática blindada  
 PAW: Soldadura al arco de plasma  
 PAC: Corte por arco de plasma

MIG (Heavy): MIG en los metales pesados  
 TIG (GTAW): Soldadura del arco de tungsteno del gas  
 MIG (Light): MIG en las aleaciones ligeras  
 MAG/CO2: Gas active del metal

**Mantenimiento**

**MANTENIMIENTO MENOR Y GENERAL**

1. Uso sólo a temperaturas: -10 °C ~ + 55 °C (14 °F ~ 131 °F).
2. Temperatura de almacenamiento: -20 °C ~ + 70 °C (-4 °F ~ 158 °F). El casco debe almacenarse en un lugar seco, fresco y oscuro, con la batería retirada cuando no esté en uso.
3. Proteja el filtro contra el contacto con líquidos y suciedad.
4. Limpie la superficie del filtro regularmente; no utilice las soluciones fuertes de la limpieza. Siempre mantenga los sensores y las células solares limpios usando un tejido sin pelusa limpio
5. Sustituya la cubierta de las lentes delanteras si se agrietado, se rasguña o se marca con hoyos.

**MANTENIMIENTO, SERVICIO, Y REEMPLAZO IMPORTANTES DE LAS PARTES**

**1. REEMPLAZO DE LAS LENTES DE CUBIERTA FRONTAL**

Sustituya las lentes de la cubierta frontal si se daña (agrietado o marcado con hoyos). Coloque su dedo o pulgar en la hendidura en el borde inferior de la ventana y doble la ventana hacia arriba hasta que lance a partir de un borde (véase Dibujo.6).

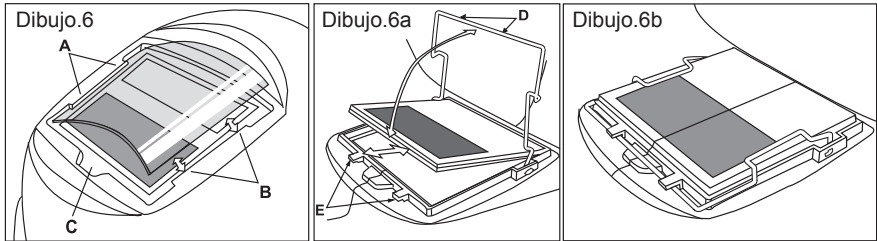
**2. REEMPLAZO DE LAS LENTES DE LA CUBIERTA INTERIOR.**

Sustituya las lentes de la cubierta interna si se daña (agrietado o marcado con hoyos). Coloque su dedo o pulgar en la hendidura en el borde superior de la ventana y doble la ventana hacia arriba hasta que lance a partir de un borde.





**Casco de Oscurecimiento Automático de la Soldadura**



**3. CAMBIO DEL CARTUCHO DE LA SOMBRA.**

Afloje la primavera de soporte (véase Dibujo.6a-D), mueva hacia fuera el cartucho de la sombra y ponga el nuevo cartucho de la sombra en el marco del filtro; fije el cartucho usando la primavera (véase Dibujo.6a-E).

suave. Limpie las superficies del cartucho regularmente. No utilice las soluciones fuertes de la limpieza. Limpie los sensores y las células solares con el alcohol desnaturalizado (alcohol etílico el 95% y alcohol metílico el 5%) y un paño limpio y límpielos seco con un trapo sin pelusa.

**4. NUEVO CARTUCHO APROPIADO.**

Tome el nuevo cartucho de la sombra y pase el cable del potenciómetro bajo anillo antes de caer el cartucho en su marco de retención dentro del casco. Engozne abajo el clip del anillo y asegúrese de que el borde delantero del lazo está retenido correctamente debajo de los estriones de retención como lo demostrado en la Dibujo.6b.

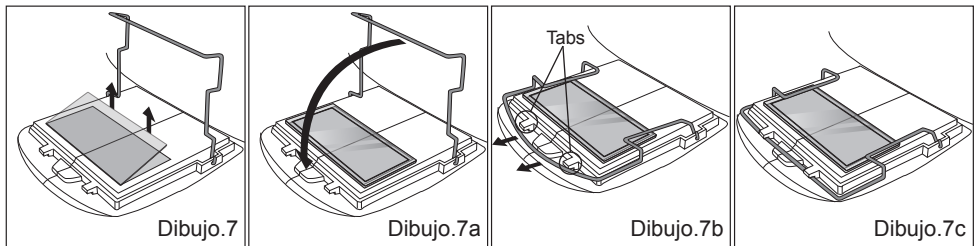
**7. INSTALACIÓN DE LAS LENTES MAGNIFICADAS**

- ① Saque las lentes de la cubierta interna (véase Dibujo.7).
- ② Mueva la primavera de soporte y ponga las lentes de lupa en el filtro con la parte superior superficial lisa (véase Dibujo.7a).
- ③ Tire la primavera de soporte hacia sí mismo para cerrarlo por las etiquetas en el casco (véase Dibujo.7b).
- ④ Es listo para utilizar ahora (véase Dibujo.7c). Cuando usted no necesita las lentes de lupa, quítela por favor y ponga las lentes de la cubierta interna al filtro.

**5.** Sujete el potenciómetro al interior del casco con el eje que sobresale a través del agujero. Empuje el botón de control de la sombra al eje.

**6. LIMPIEZA**

Limpie el casco limpiando con un paño





**Tabla de solución de problemas**

<b>Síntoma (s)</b>	<b>Posibles causas</b>	<b>Acciones correctivas</b>
Oscurecimiento irregular o atenuación	La venda para cabeza se ha fijado irregularmente en los dos lados del casco, dando por resultado una distancia desigual de los ojos a la lente de filtro.	Ajuste la venda para reducir la diferencia en distancias al filtro.
El filtro de oscurecimiento automático no se oscurece o no se centella	1. Las lentes de cobertura de frente es sucia o dañada.	1. Cambie las lentes de la cubierta.
	2. Los sensores son sucios.	2. Limpie la superficie de los sensores.
	3. La corriente de soldadura es demasiado baja.	3. Ajuste la sensibilidad que fija más arriba. Aumente el tiempo de retraso en caso de necesidad.
	4. Las baterías no se colocan correctamente o no tiene la energía	4. Reinstale o sustituya las baterías.
Respuesta lenta al oscurecerse	La temperatura de funcionamiento es demasiado baja.	No utilice en las temperaturas debajo -10 °C o 14 °F.
Baja visión	1. Las lentes o el filtro está sucio.	1. Limpie o cambie las lentes.
	2. Hay luz ambiente escasa.	2. Proporcione la suficiente luz ambiente.
	3. El número de la sombra se fija incorrectamente.	3. Reajuste el número de la sombra.
	4. La venda para cebeza no se ajusta correctamente.	4. Reajuste la venda.
El casco de la soldadura se desliza	La venda para cebeza no se ajusta correctamente.	Reajuste la venda.

**GARANTÍA**

**GARANTÍA LIMITADA DE 3 AÑOS**

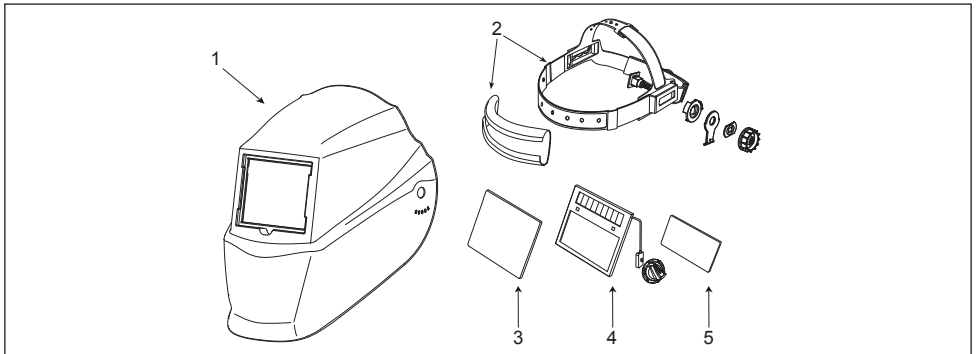
Si este producto no se realizar a satisfacción debido a un defecto o mala mano de obra dentro de 3 años desde la fecha de compra, devuélvalo al lugar de compra. Va a ser reemplazado, libre de cargo. Los daños incidentales o consecuentes quedan excluidos de esta garantía.





**Para las Piezas de Reparación, contáctenos en 1-800-323-0620  
24 horas al día - 365 días al año**

Figura - Ejemplo de las Piezas de Reparación para el modelo 33N556



**Listado de las Piezas de Reparación**

Número de referencia	Descripción	Ref. de pieza	Cantidad.
1	33N557 Cáscara (máscara de la soldadura)	TTIX700SG	1
2	Venda para Cabeza	TTADFHGG	1
3	Lentes de Cubierta Frontal	TTADF2X4FG	1
4	Filtro de Oscurecimiento Automático		1
5	Lentes de Cubuerta Interna		1



Veillez à lire attentivement ce manuel avant d'utiliser ce produit et à observer toutes les informations concernant la sécurité, les avertissements et les attentions. La violation des instructions entraîne les blessures et/ou les dommages du produit ou des biens. Veuillez garder cette mode d'emploi pour la référence ultérieure.

# **WESTWARD®**

## **Casque De Soudure Auto-obscurcissant**

### **Description**

Ce casque passe automatiquement de la clarté au sombre avec une teinte 9-13 lorsque le soudage à l'arc démarre. Equipé des capteurs solaires et de deux batteries AAA remplaçables. Avec une sensibilité et un contrôle du temps de retard du sombre à la clarté, ce produit peut protéger les yeux contre l'arc électrique lors du soudage à haute puissance et offrir une commutation pour le soudage par points. La conception de masque permet d'une protection complète pour le cou et protéger la lentille contre les égratignures quand le masque est déposé. De plus, il y a une bande confortable et un mécanisme de l'harnais. Type de soudage: MIG, TIG et soudage à l'arc .

Ce casque n'est pas adapté aux travaux de soudage laser ou à l'autogène/la coupe et ne protège ni contre les explosions ni contre les liquides caustiques.

Remplacer immédiatement les éléments avec des égratignures, des fissures ou des coups afin d'éviter tout accident.

Accessoires optionnels: lentille amplifiante, sac souple pour casque.

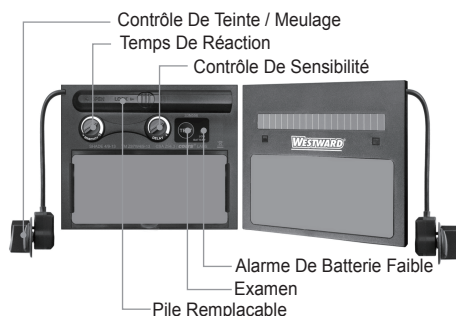




## Casque De Soudure Auto-obscureissant

### Spécifications et Dimensions

Zone de vue	98x44mm (3.86"x1.73")
Taille de la Cartouche	110x90x9mm (4.33"x3.54"x0.35")
Détecteurs d'Arcs	2
Luminosité	DIN 3.5
Foncé	DIN 9 ~ 13
Contrôle de Teinte	Externe, Teinte variable
Marche/Arrêt	Complètement automatique
Contrôle de sensibilité	Réglable en tournant la molette
Protection UV/IR	A tout moment jusqu'à la teinte DIN16
Alimentation	Solaire. Pile remplaçable 2 piles alcalines x AAA
Alarme de batterie faible	Feu rouge
Temps d'allumage	1/25000 sec de la clarté au sombre
Temps de réaction (sombre à clarté)	0.1 ~ 1.0 sec par tourner la molette
Spécifications TIG	≥ 5 amps (DC); ≥ 5 amps (AC)
Meulage	Oui
Température de Fonctionnement	-10 °C ~ +55 °C (14 °F ~ 131 °F)
Température de stockage	-20 °C ~ +70 °C (- 4 °F ~ 158 °F)
Matériel du casque	Nylon avec une haute résistance aux chocs
Poids total	490.8g
Domaine d'application	Soudage aux électrodes enrobées (SMAW); TIG DC&AC; TIG Pulse DC; TIG Pulse AC; MIG/MAG/CO2; MIG/MAG Pulse; Coupage plasma (PAC); Soudage plasma (PAW); Coupage à l'arc au charbon avec jet d'air comprimé (CAC-A); Meulage
Conformité	ANSI Z87.1, CSA Z94.3





## Casque De Soudure Auto-obscureissant

### Des Informations concernant la sécurité

Le casque de soudure auto-obscureissant disposant d'un système de réglage automatique de teinte sont destinés à protéger les yeux et la figure contre les étincelles, les éclaboussures et les rayonnements dangereux se produisant lors de soudures ordinaires. Le filtre de protection s'assombriera automatiquement dès que l'arc électrique émettra de la luminosité et s'éclaircira dès que l'arc sera arrêté.

Faire bien la préparation pour utiliser ce casque. Suivre les avertissements de sécurité, ajuster le casque dans un bon état, et choisir un numéro correct de la teinte pour le soudage.

#### ⚠ ATTENTIONS

- Ne jamais placer le masque ou le filtre d'obscurcissement sur une surface chauffée.
- Ne jamais ouvrir ou modifier le filtre de réglage automatique d'obscurcissement.
- Si l'écran ne passe pas à l'état foncé lorsque l'arc électrique est allumé, arrêtez le soudage et contactez votre revendeur.
- Ne jamais plonger le filtre dans l'eau.
- Ne jamais nettoyer le filtre ou les parties du casque avec des solvants.

#### ⚠ AVERTISSEMENTS

- Le casque de soudure auto-obscureissant n'est pas adapté aux travaux de soudage laser et oxyacétylénique/coupe.
- Le casque de soudure auto-obscureissant ne protège pas contre les coups violents.
- Ce casque ne protège ni contre les explosions ni contre les liquides caustiques.
- Les matériaux qui touche la peau provoquaient parfois des réactions allergiques.

#### ⚠ DANGER

- Ne porter aucune modification au masque ou au filtre sauf les instructions dans ce manuel. N'utiliser que des pièces de recharge spécifiées dans ce manuel.

### NOTE: AVANT LA PREMIÈRE UTILISATION

- 1) Retirez le film de protection des deux côtés de la lentille frontale (si cela n'est pas déjà fait).
- 2) Contrôlez avant chaque utilisation les différentes parties du casque et assurez-vous qu'elle soient bien propres et en état d'utilisation.
- 3) Installez les piles alcalines AAA (2 requises) avant d'utiliser ce produit. Le casque doit être déposé sur un endroit sec, frais et sombre avec les batteries retirées lorsqu'il n'est pas utilisé.

### Opération

#### RÉGLAGE DE LA TAILLE DE LA TÊTE

- Le serrage de la bande se règle en poussant sur le bouton à cliquet et en le faisant tourner pour ajuster le niveau de confort souhaité. Ce bouton se trouve sur l'arrière de la bande (voir Graphique.1-Y). Cela permet d'une tension adéquate sans qu'il trop serré.
- Si le bandeau est trop élevé ou trop bas sur la tête, ajuster la sangle qui passe au-dessus de la tête. Pour le faire, dégagez l'extrémité de la bande en poussant la goupille hors de l'orifice dans la bande. Faire coulisser les deux parties de la bande à une largeur requise et pousser la goupille par l'orifice le plus proche (voir Graphique.1-W).
- Testez l'ajustement du bandeau. Si le bandeau se déplace en inclinant, le réajustez jusqu'à ce qu'il soit stable.

#### AJUSTEMENT DE LA DISTANCE ENTRE LE VISAGE ET LE CASQUE

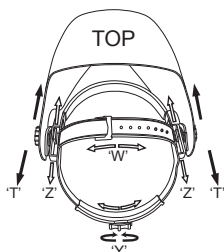
- Pas1: Desserrer l'écrou (voir Graphique.1-T) pour ajuster la distance entre le casque et le visage.
- Pas2: Repositionner les boulons dans un autre endroit (voir Graphique.1-Z). Il est important que les deux côtés soient situés de façon semblable de la lentille.
- Pas3: Resserrer l'écrou lors de l'ajustement est satisfaisant.

**WESTWARD®****Casque De Soudure Auto-obscureissant****AJUSTEMENT DE L'ANGLE DE VUE**

Il y a 5 trous sur les deux côtés du casque (voir Graphique.2). vous pouvez modifier l'angle de vue en déplaçant la rondelle dans les trous différents.

**SÉLECTION DE LA TEINTE**

Choisir la teinte selon le soudage (se reporter au «Guide de réglage des teintes») en tournant la mollette à côté du casque.



Graphique.1



Graphique.2

**SÉLECTION DU TEMPS DE RETARD**

Lorsque le soudage cesse, la fenêtre de visualisation change automatiquement du sombre à la clarté. On peut retarder le temps de passage du sombre à la clarté. Le temps de retard / réaction peut être réglé en "S" (rapide: 0.1 sec) ou "L" (lent: 1.0 sec). vous pouvez tourner la mollette arrière la cartouche (voir Graphique.3a). Il est recommandé d'utiliser un délai plus court pour le soudage par points et un long délai pour des applications à ampérage élevé. Un long délai peut également être utilisé pour le soudage TIG et TIG / MIG / MAG pulse.

**SENSIBILITÉ**

La sensibilité peut être réglée à "H" (élevée) ou "L" (faible) pour le bouton arrière la cartouche. Le réglage "moyenne-élevée" est



Graphique.3a

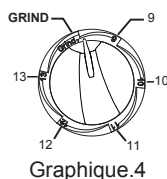


Graphique.3b

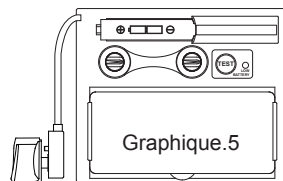
sélectionné pour une utilisation normale. La sensibilité la plus élevée est appropriée pour le sondage du courant faible, TIG ou les applications spéciaux. Lorsque le casque est utilisé en présence de lumière ambiante excessive ou près d'une autre soudeuse, le réglage faible peut être sélectionné pour un meilleur rendement (voir Graphique.3b). Comme une règle simple pour des performances optimales, il est recommandé de régler la sensibilité au maximum au début, puis peu à peu la réduire jusqu'à ce que le filtre réagit seulement au soudage de flash lumineux et sans déclenchement intempestif en raison de condition de lumière ambiante (lumière directe du soleil, lumière artificielle intensive, arc de soudeur voisin, etc.).

**SÉLECTION LE MEULAGE**

Lorsque le bouton est tourné vers la position <<grind>>, la fonction de teinte est disparue, ce qui permet une vision claire pour le meulage avec une protection du casque pour le visage. Avant de redémarrer le soudage, veiller à ce que la fonction de teinte devient sombre (voir Graphique.4).



Graphique.4



Graphique.5

**TEST**

Appuyer et maintenir le test pour voir la sélection de la teinte avant le soudage (voir Graphique.5). La fenêtre de visualisation reviendra automatiquement à l'état de la clarté (teinte 3.5) lorsqu'il est dégagé.

**PUISSANCE**

Cette cartouche ADF est alimentée par pile solaire et 2 piles alcalines AAA. Remplacez les piles lorsqu'il apparaît l'alarme de batterie faible (voir Graphique.5).

La teinte peut être ajusté au cours de l'utilisation par la regulation du potentiomètre.



## Casque De Soudure Auto-obscureissant

### Guide de réglage des teintes (Graphique 3C)

(NO.1)

Type de soudage	COURANT DE L'ARC ELECTRIQUE ( ampère )														
	0.5	2.5	10	20	40	80	125	175	225	275	350	450			
	1	5	15	30	60	100	150	200	250	300	400	500			
SMAW						9	10		11		12		13	14	
MIG(lourd)								10	11		12		13	14	
MIG(léger)								10	11		12		13	14	15
TIG(GTAW)				9	10		11		12		13		14		
MAG/CO2							10	11	12		13		14	15	
SAW									10	11	12		13	14	15
PAC										11		12		13	
PAW				8	9	10	11		12		13		14		15

#### NOTE:

SMAW: soudage aux électrodes enrobées

MIG (lourd): soudage à gaz inerte à électrode métallique des métaux lourds

SAW: soudage à l'arc sous protection gazeuse semi-automatique

TIG (GTAW): soudage à l'arc en atmosphère inerte

PAW: soudage plasma

MIG (léger): soudage à gaz inerte à électrode métallique des alliages deuxième titre

PAC: découpage plasma

MAG/CO2: Gaz à métal actif

## ENTRETIEN

### ENTRETIEN MINEUR ET ORDINAIRE

- Température de fonctionnement: -10 °C ~ +55 °C (14 °F ~ 131 °F).
- Température de stockage: -20 °C ~ +70 °C (-4 °F ~ 158 °F). Le casque doit être déposé sur un endroit sec, frais et sombre avec les batteries retirées lorsqu'il n'est pas utilisé.
- Protéger le filtre contre les liquides et l'écrasement.
- Nettoyer régulièrement la surface du filtre sans jamais utiliser des produits agressifs. Nettoyer les capteurs et les cellules solaires avec un chiffon propre en coton.
- Remplacer les écrans interne et externe si ceux-ci sont endommagés (fissures, égratignures ou coups).

### ENTRETIEN MAJEUR, SERVICE, ET PEICES DE RECHARGE

#### 1. REMPLACER LA LENTILLE DE PROTECTION FRONTALE

Remplacer a lentille de protection frontale si elle est endommagée (fissurée ou égra-

tignée). Placer le doigt ou le pouce dans le retrait sur le bord inférieur de la lentille de protection et courber la lentille vers le haut jusqu'à ce qu'elle sorte d'un bord (voir Graphique.6).

#### 2. REMPLACER LA LENTILLE DE PROTECTION INTERIEURE

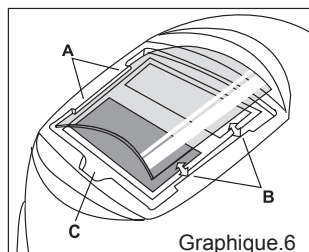
Remplacer la lentille de protection intérieure si elle est endommagée (fissurée ou égratignée). Placer le doigt ou le pouce dans le retrait au-dessus de la fenêtre de vue de la cartouche et courber la lentille vers le haut jusqu'à ce qu'elle sorte d'un bord.

#### 3. CHANGER LA CARTOUCHE DE TEINTE

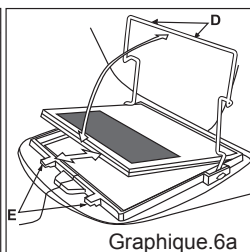
Desserrer le ressort (voir Graphique.6A-D), et sortir la cartouche et changer une nouvelle cartouche dans le cadre du filtre, ensuite apposer la cartouche à l'aide du ressort (voir Graphique.6A-E).

#### 4. MONTAGE DU NOUVEAU CARTOUCHE

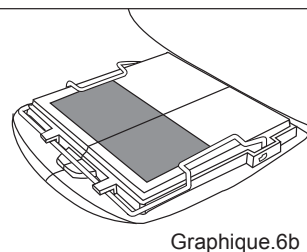
Prendre la nouvelle cartouche de teinte et

**WESTWARD®****Casque De Soudure Auto-obscureissant**

Graphique.6



Graphique.6a



Graphique.6b

passer le câble du potentiomètre sous la bouche du fil avant de placer la cartouche dans son cadre de retenue à l'intérieur du casque. Abatte la boucle du fil et s'assurer que le bord avant de la boucle soit correctement retenu sous les ergots de retenue, comme le montre la Graphique.6b.

5. Fixer le potentiomètre de teinte à l'intérieur du casque avec l'arbre sortant par l'orifice. Placer le potentiomètre sur la coquille. Sur l'extérieur du casque, pousser le bouton de contrôle de teinte sur l'arbre.

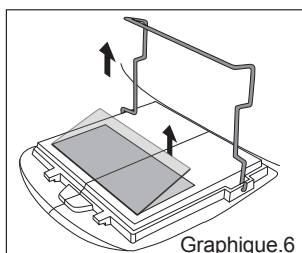
**6. NETTOYAGE**

Nettoyer le casque en l'essuyant avec un chiffon doux. Nettoyer régulièrement la superficie de la cartouche. Ne pas utiliser de solutions nettoyantes fortes. Nettoyer

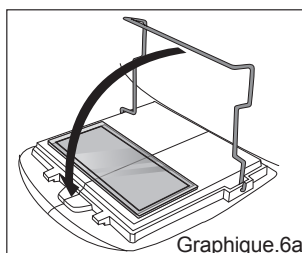
les cellules solaires avec une solution d'eau methyl (l'alcool éthylique à 95% et l'alcool méthylique 5%) et un chiffon propre, puis sécher avec un chiffon non pelucheux.

**7. INSTALLER LA LENTILLE AMPLIFIANTE**

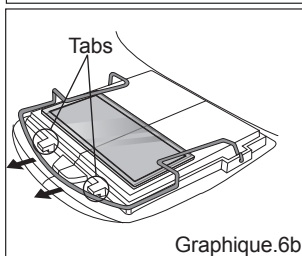
- ① Décoller la lentille intérieure (voir Graphique.7).
- ② Relever le ressort et mettre la lentille amplifiante sur le filtre avec la surface lisse dessus (voir Graphique.7a).
- ③ Tirez le ressort envers vous afin de le verrouiller par les onglets sur le casque (voir Graphique.7b).
- ④ Maintenant, il est prêt à utiliser (voir Graphique.7c). lorsque vous n'avez pas besoin de la lentille amplifiante, veiller à la décoller et à apposer la lentille intérieure sur le filtre.



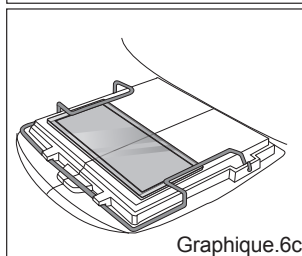
Graphique.6



Graphique.6a



Graphique.6b



Graphique.6c



## Casque De Soudure Auto-obscureissant

### Guide de dépannage

Problème (s)	Causes (s) Possible (s)	Solution (s)
Assombrissement irrégulière ou atténuation	Le bandeau a été mis en inégalement sur les deux côtés du casque, ce qui entraîne une distance inégale des yeux à la lentille du filtre.	Ajuster le bandeau afin de réduire la différence des distances au filtre.
Le filtre n'obscurcit pas ou clignote	1. La lentille de protection frontale est sale ou endommagée.	1. Changer la lentille de protection frontale.
	2. Les senseurs sont sale.	2. Nettoyer la surface du senseur.
	3. Le courant de soudage est trop faible.	3. Adjuster une sensibilité élevée ou augmenter le temps de retard si nécessaire.
	4. Les batteries ne sont pas placés correctement ou en état faible.	4. Réinstaller ou remplacer les piles.
Réaction lente lors de l'assombrissement	Operating temperature is too low.	Ne pas l'utiliser lorsque la température est inférieure à -10 °C ou 14 °F.
Difficulté à voir	1. La lentille et/ou le filtre est sale	1. Nettoyer ou changer la lentille.
	2. La lumière ambiante est insuffisant.	2. Fournir la lumière ambiante.
	3. Le numéro de la teinte est incorrect.	3. Réinitialiser le nombre de la teinte.
	4. La bande n'est pas correctement ajustée.	4. Réajuster la bande.
Le casque glisse	La bande n'est pas correctement ajustée.	Réajuster la bande.

## GARANTIE

### UNE PÉRIODE DE 3 ANS

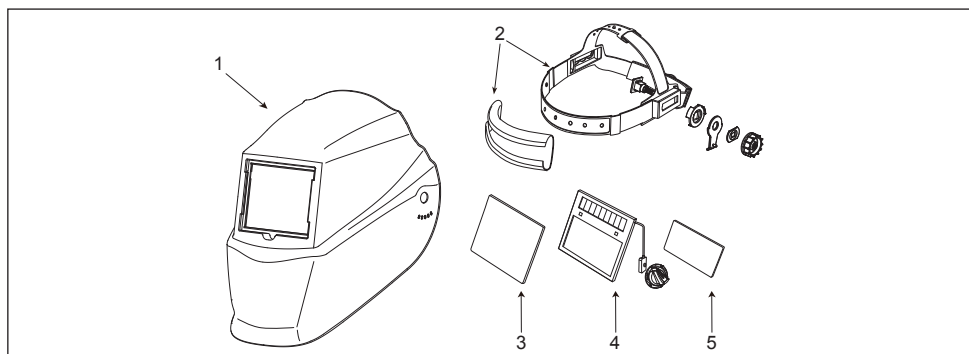
S'il apparaît un défaut ou une malfaçon dans 3 ans à compter de la date d'achat, le retournez à l'endroit de l'achat. Il sera remplacé gratuitement. Les dommages accidentels ou indirects sont exclus de la garantie.



## Casque De Soudure Auto-obscureissant

**Pièces de recharge, prière de nous contacter au 1-800-323-0620  
24 h le jour – 365 jours**

Figure – Pièces de recharge pour Modèle(s) 33N556



### Liste des Pièces de recharge

Numéro	Description	Code de la pièce	Qté.
1	33N556 coquille (masque de soudure)	TTIX700SG	1
2	Bande	TTADFHGG	1
3	Lentille de protection frontale	TTADF2X4FG	1
4	Filtre		1
5	Lentille de protection intérieure		1