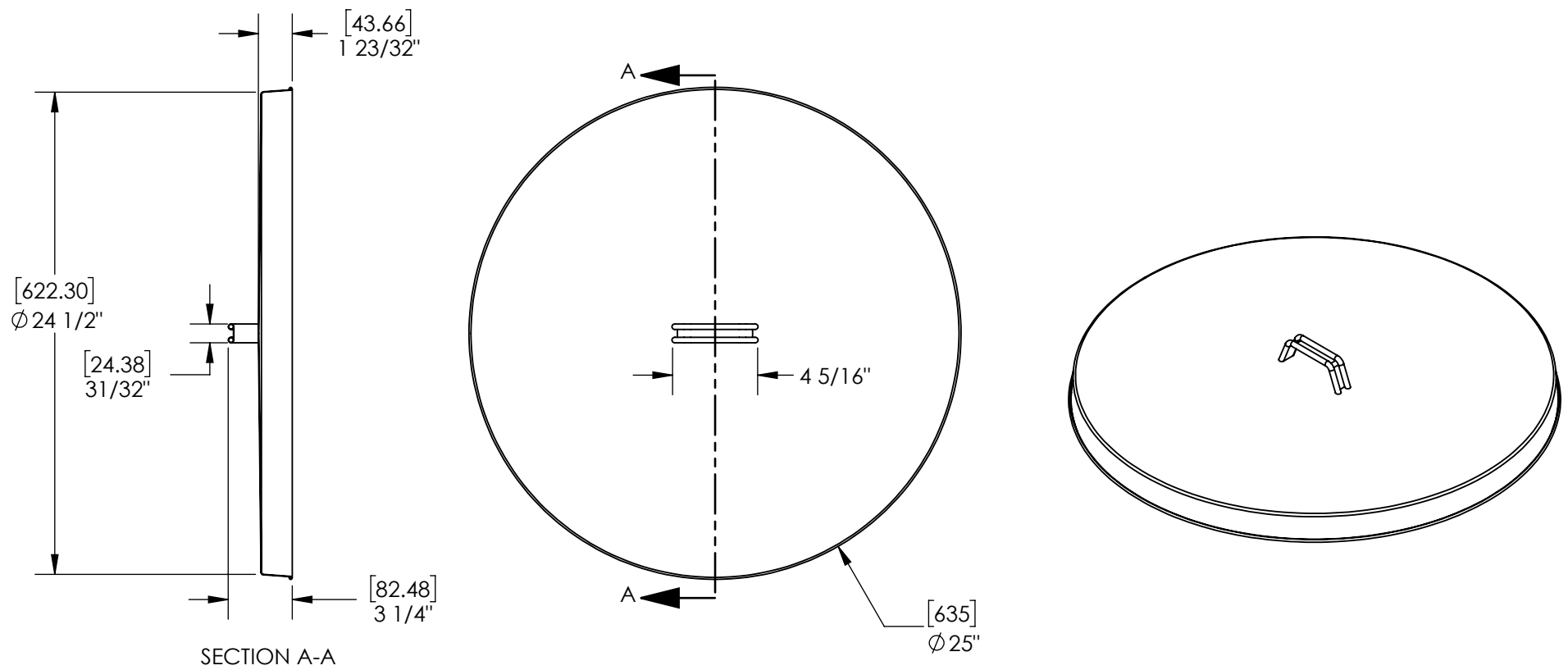


GALVANIZED STEEL DRUM COVER W/ HANDLE - DC-245-H

APPROX WEIGHT: 3.83 lbs.
DOES NOT INCLUDE WEIGHT OF POWER OR PACKAGING!!!

*** ANY ADDITIONS, DELETIONS, OR OMISSIONS MUST BE CORRECTED ON THIS DRAWING AS THIS DRAWING WILL BE CONSIDERED ALL INCLUSIVE ***
ALL GRAPHICS PROVIDED ARE FOR REFERENCE ONLY. IF CERTAIN DIMENSIONS ARE CRITICAL PLEASE VERIFY THOSE DIMENSIONS WITH YOUR SALESPERSON



DIMENSION TOLERANCE ± 1/4"

STANDARD FEATURES

- MODEL NUMBER IS DC-245-H
- OVERALL DIAMETER IS Ø25"
- INNER DIAMETER IS Ø24 1/2"
- OVERALL HEIGHT IS 3 1/4"
- MADE OF 26 GAUGE GALVANIZED STEEL
- DRUM COVER IS COMPATIBLE WITH OPEN HEAD DRUMS
- FOR USE ON 55 GALLON DRUMS
- PERIMETER RIM IS BEADED FOR SAFETY

SPECIAL FEATURES

NONE

| | | |
|---|--|--|
| APPROVAL | I, THE UNDERSIGNED, AGREE THAT THE PRODUCT AS REPRESENTED SATISFIES DESIGN AND DIMENSION REQUIREMENTS. I ALSO ACKNOWLEDGE MY DUTY TO CONFIRM PRODUCT AND INSTALLATION COMPLIANCE WITH ALL APPLICABLE FEDERAL, STATE AND LOCAL REGULATIONS AND STANDARDS. | |
| | UNITS REQUIRING APPROVAL DRAWINGS OR MODIFIED ARE NON-RETURNABLE | |
| | [] As drawn [] As marked | |
| | Signed: _____ Date: _____ | |
| Printed Name: _____ | | |
| LEAD TIME WILL START UPON RECEIPT OF SIGNED APPROVAL DRAWING | | |

| | | | | |
|---|--|----------------------|----------------|------------|
| FOR INTERNAL USE ONLY PROJECT SIGN OFF | | DISTRIBUTOR'S NAME: | | P.O.# |
| SALES | | VESTIL MANUFACTURING | | X |
| ENG. | | DRAWN BY: TJM | DATE: 6/1/2011 | W.O.# |
| FAB. | | REFERENCE: X | SCALE: 1:8 | X |
| POWER | | QUOTED LEAD TIME: X | QUOTE # X | FILE NAME: |
| | | | | 30-007-210 |