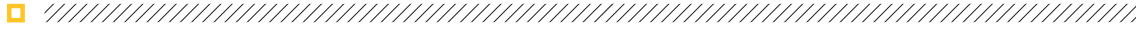


AirEye

Technical Specifications



AirEye™ delivers powerful, motion-activated airflow right where you need it, increasing comfort and productivity in any industrial space.



BRAWN MEETS BRAINS

- **AirEye Occupancy Sensor (AEOS)** — Available occupancy sensor uses passive infrared detection to run AirEye only when you need it, delivering energy savings and effortless operation.
- **Motor** — Electronically commutated motor provides up to 50% more cfm per watt than traditional induction motors. Rated IP65.
- **Cage and Blades** — OSHA-compliant, steel wire cage and precision-balanced blades provide 20% more airflow with 10% less noise than traditional personal industrial fans. Blades made from galvalume steel.
- **Control Options** — Infinitely variable speed control offers greater versatility than standard two-speed pull chains or rocker switches. Available timer control delivers up to 10 hours of airflow. (Timer control not recommended with use of AEOS.)
- **Sizes** — 20 inch (457 mm), 24 inch (610 mm), or 30 inch (762 mm).
- **Construction** — Modular assembly accommodates a wide range of mounting options. Wall mount, I-Beam mount, C-Channel mount, Mobile Pedestal, and Swivel mount available. All mounts made from steel.
- **Color and Durability** — Black cage with high-visibility yellow motor and blades. Two-coat painting process of E-coat primer followed by industrial-grade powder coat resists damage even in harsh environments.
- **Power Supply** — 18-ft (5.5-m) cord plugs into standard wall outlet.



Standard speed control



Timer control

Technical Specifications

Fan	Weight ¹	Max amps @ 115 V	Max power @ 115 V	Max speed	Input power	Motor	Sound at max speed ²
20 in. (508 mm)	32 lb (14.5 kg)	4.6 A	326 W	1220 RPM	100–120 VAC, 1 Φ, 50/60 Hz	1/3 hp	65 dBA
24 in. (610 mm)	38 lb (17.2 kg)	4.8 A	334 W	1290 RPM			
30 in. (762 mm)	45 lb (20.4 kg)	4.9 A	345 W	1280 RPM			

¹Weight does not include mounts or accessories.

²Fans are sound tested at maximum speed in a laboratory environment. Actual results in field conditions may vary due to sound reflecting surfaces and environmental conditions.

Main Fan Unit Ordering Information

Description	Part Number
AirEye Fan Kit, 20 Inch, Standard Control	F-AE1-2001
AirEye Fan Kit, 24 Inch, Standard Control	F-AE1-2401
AirEye Fan Kit, 30 Inch, Standard Control	F-AE1-3001
AirEye Fan Kit, 20 Inch, Timer Control	F-AE1-2001-V27
AirEye Fan Kit, 24 Inch, Timer Control	F-AE1-2401-V27
AirEye Fan Kit, 30 Inch, Timer Control	F-AE1-3001-V27

Mount Ordering Information

Description	Part Number
I-Beam Mount	007263
C-Channel Mount	007264
Wall Mount	007265
Pedestal and Wheel Kit	008001
Swivel Mount	007180

Accessory Ordering Information

Description	Part Number
AirEye Occupancy Sensor	007273
3 ft (0.9 m) Drop Cord Extension (Control)	007269
6 ft (1.8 m) Drop Cord Extension (Control)	007270
12 ft (3.7 m) Drop Cord Extension (Control)	007271



Suitable for use in damp locations.
See full warranty for coverage information.
Specifications subject to change without notice.



USA
BIGASSFANS.COM
877-244-3267

CANADA
BIGASSFANS.COM
844-924-4277

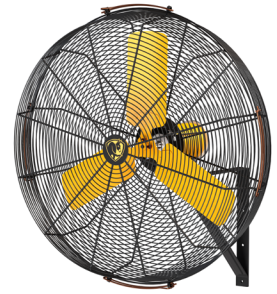
AUSTRALIA
BIGASSFANS.COM/AU
1-300-244-277

SINGAPORE
BIGASSFANS.COM/SG
+65 6709 8500

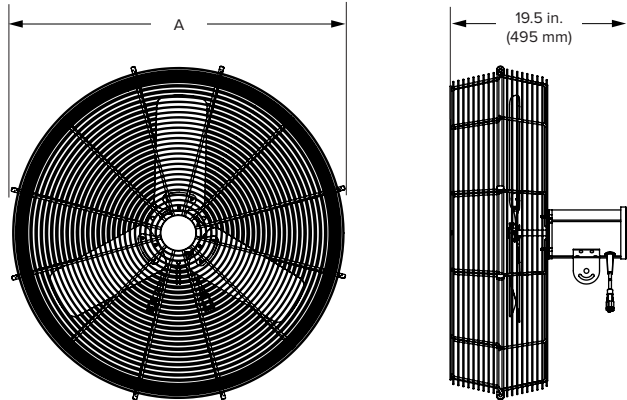
AirEye

Product Dimensions

AirEye's modular assembly accommodates a wide range of mounting options, including Wall Mount, I-Beam Mount, C-Channel Mount, Mobile Pedestal, and Swivel Mount.

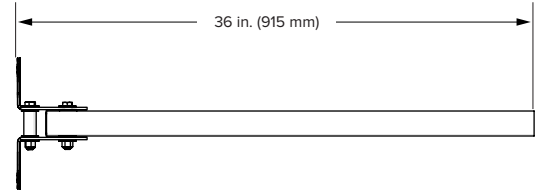


BLADE AND CAGE ASSEMBLY



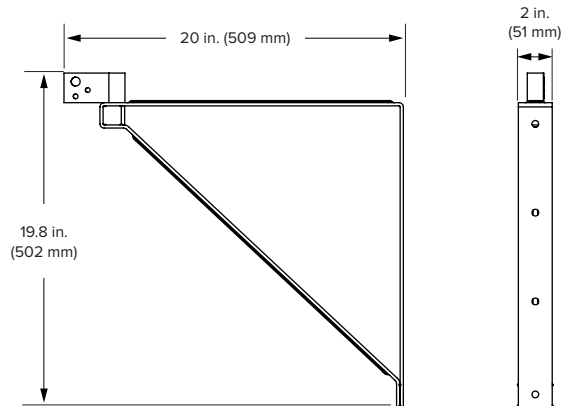
Cage Diameter (A)	Blade Diameter
25.8 in. (656 mm)	20.5 in. (521 mm)
32 in. (813 mm)	24.5 in. (622 mm)
38.2 in. (969 mm)	30.5 in. (775 mm)

SWIVEL MOUNT



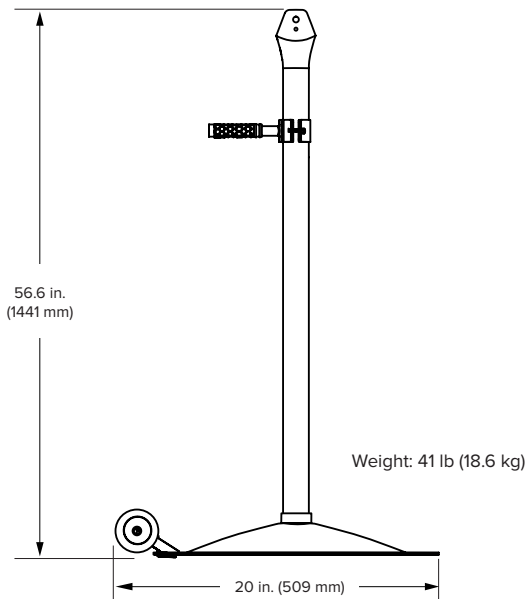
Weight: 16 lb (7.3 kg)

WALL MOUNT



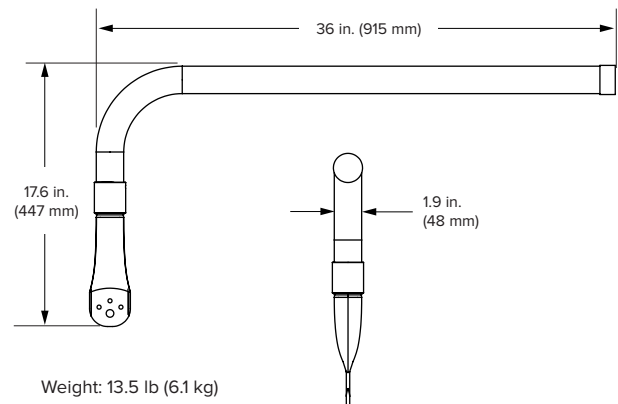
Weight: 9.5 lb (4.3 kg)

PEDESTAL MOUNT



Weight: 41 lb (18.6 kg)

I-BEAM MOUNT / C-CHANNEL MOUNT



Weight: 13.5 lb (6.1 kg)

Specifications subject to change without notice.



USA
BIGASSFANS.COM
877-244-3267

CANADA
BIGASSFANS.COM
844-924-4277

AUSTRALIA
BIGASSFANS.COM/AU
1-300-244-277

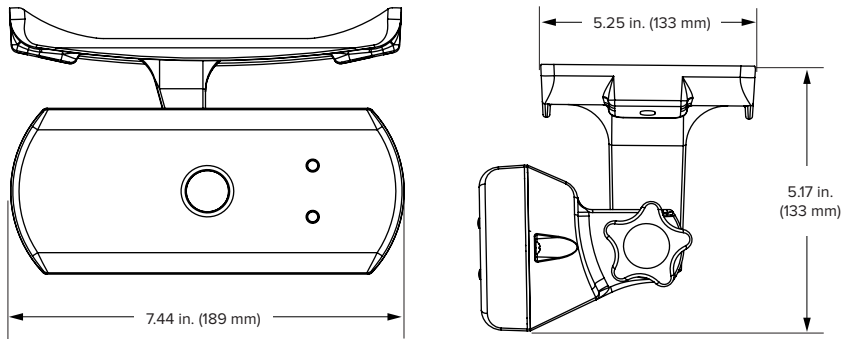
SINGAPORE
BIGASSFANS.COM/SG
+65 6709 8500

Accessory:

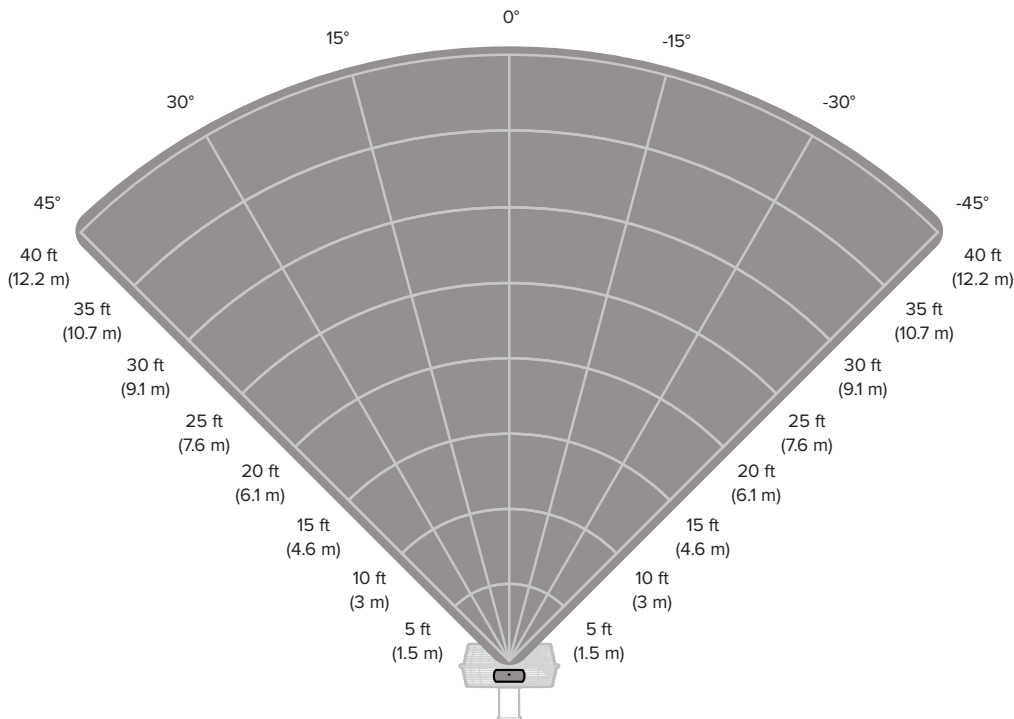
AirEye Occupancy Sensor

Technical Specifications

With an effective range of up to 40 ft (12.2 m) within a 90-degree radius, the AirEye Occupancy Sensor (AEOS) automatically turns the fan on to a set speed when it detects infrared motion. Its adjustable lock knob allows users to aim the sensor where airflow is needed most, and two status LEDs display AirEye's power and motion-detection activity. The fan will shut off five minutes after occupants leave the area.



SENSOR COVERAGE



Testing performed in a controlled environment with the sensor mounted 77 in. (1.96 m) above the floor.



USA
BIGASSFANS.COM
877-244-3267

CANADA
BIGASSFANS.COM
844-924-4277

AUSTRALIA
BIGASSFANS.COM/AU
1-300-244-277

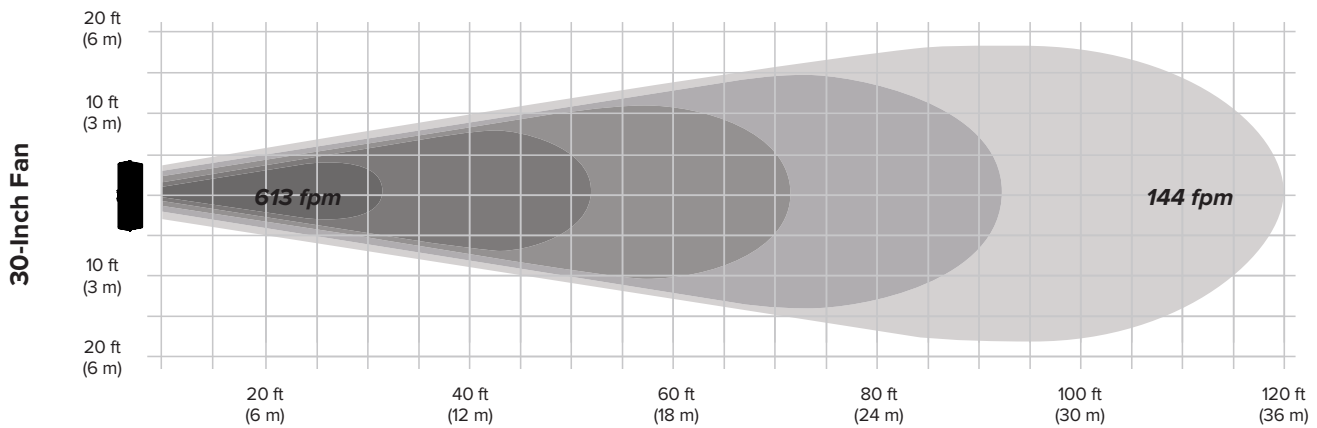
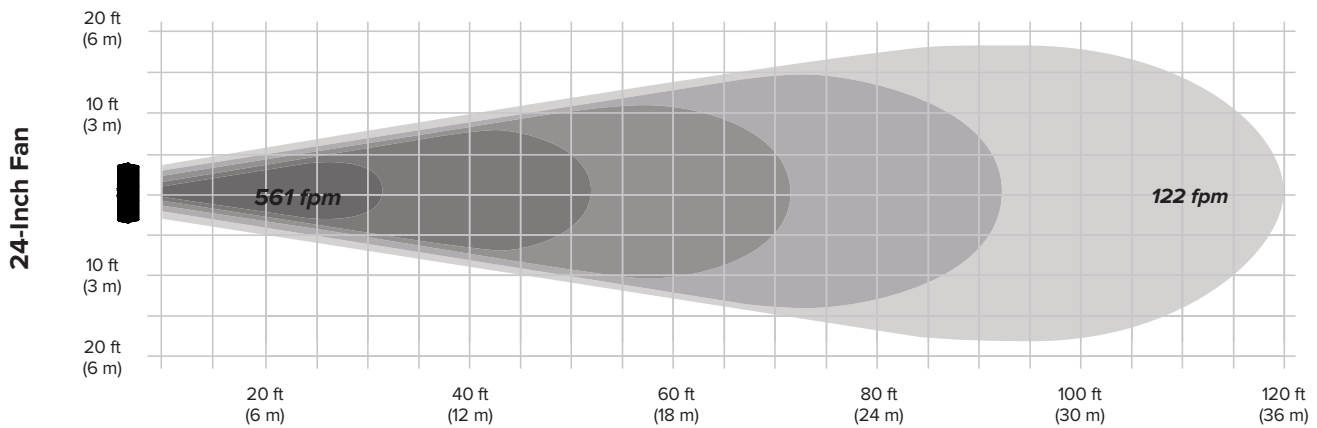
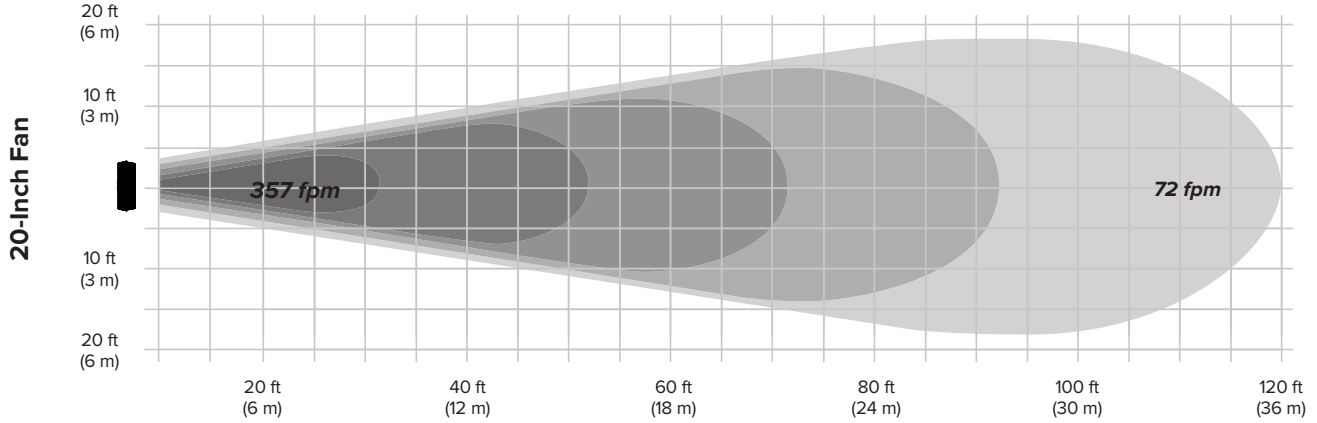
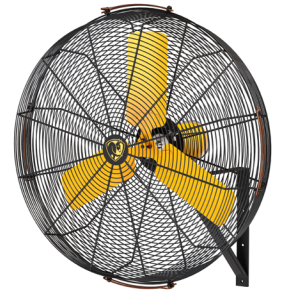
SINGAPORE
BIGASSFANS.COM/SG
+65 6709 8500

AirEye

Airflow Specifications

AIR VELOCITY

Shaded areas represent cooling up to 120 feet (36.6 m). That's one-third the length of a football field! Darker shading indicates faster air velocity.



fpm = feet per minute
Testing performed in a controlled environment.
Actual airflow may vary due to environmental factors.



USA
BIGASSFANS.COM
877-244-3267

CANADA
BIGASSFANS.COM
844-924-4277

AUSTRALIA
BIGASSFANS.COM/AU
1-300-244-277

SINGAPORE
BIGASSFANS.COM/SG
+65 6709 8500