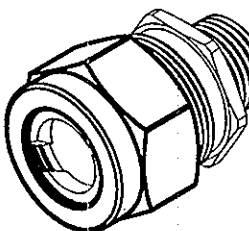


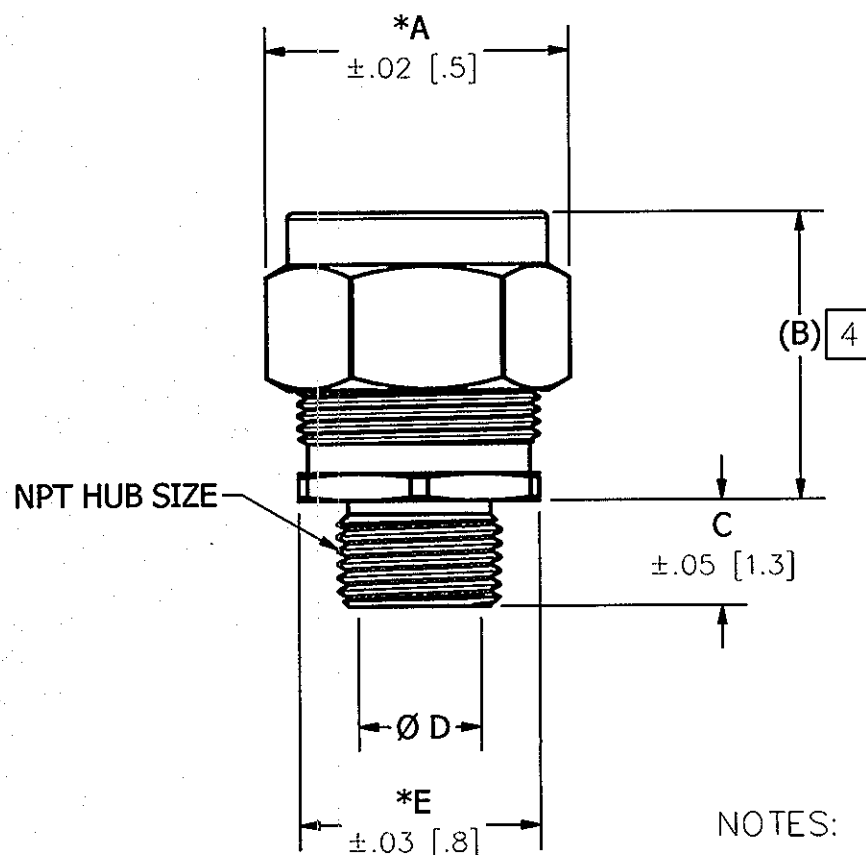
# M-12927

1

CATALOG NUMBER	BODY COLOR	GOTCHA RING COLOR CODE	NPT HUB SIZE	CORD DIA. RANGE	*A ACROSS CORNERS	*A ACROSS FLATS	(B) <span style="border: 1px solid black; padding: 0 2px;">4</span>	C	ØD (THROAT DIA.)	*E ACROSS CORNERS	*E ACROSS FLATS
SHC1027ZP	ZINC-PLATED STEEL	YELLOW	1/2"	.63-.75 [15.9-19.0]	1.59 [40.4]	1.38 [35.1]	1.50 [38.1]	.55 [14.0]	.64 [16.3]	1.40 [35.6]	1.25 [31.7]
SHC1028ZP	ZINC-PLATED STEEL	ORCHID	1/2"	.75-.88 [19.0-22.2]	1.59 [40.4]	1.38 [35.1]	1.50 [38.1]	.55 [14.0]	.64 [16.3]	1.40 [35.6]	1.25 [31.7]
SHC1035ZP	ZINC-PLATED STEEL	BLUE	3/4"	.38-.50 [9.5-12.7]	1.59 [40.4]	1.38 [35.1]	1.40 [35.6]	.55 [14.0]	.82 [20.8]	1.40 [35.6]	1.25 [31.7]
SHC1037ZP	ZINC-PLATED STEEL	YELLOW	3/4"	.63-.75 [15.9-19.0]	1.59 [40.4]	1.38 [35.1]	1.40 [35.6]	.55 [14.0]	.82 [20.8]	1.40 [35.6]	1.25 [31.7]
SHC1038ZP	ZINC-PLATED STEEL	ORCHID	3/4"	.75-.88 [19.0-22.2]	1.59 [40.4]	1.38 [35.1]	1.40 [35.6]	.55 [14.0]	.82 [20.8]	1.40 [35.6]	1.25 [31.7]
SHC1097ZP	ZINC-PLATED STEEL	BROWN	1"	.50-.63 [12.7-15.9]	1.59 [40.4]	1.38 [35.1]	1.40 [35.6]	.70 [17.8]	.89 [22.6]	1.54 [39.1]	1.38 [35.1]
SHC1098ZP	ZINC-PLATED STEEL	YELLOW	1"	.63-.75 [15.9-19.0]	1.59 [40.4]	1.38 [35.1]	1.40 [35.6]	.70 [17.8]	.89 [22.6]	1.54 [39.1]	1.38 [35.1]
SHC1099ZP	ZINC-PLATED STEEL	ORCHID	1"	.75-.88 [19.0-22.2]	1.59 [40.4]	1.38 [35.1]	1.40 [35.6]	.70 [17.8]	.89 [22.6]	1.54 [39.1]	1.38 [35.1]
SHC1043ZP	ZINC-PLATED STEEL	GRAY	1"	.88-1.00 [22.2-25.4]	1.95 [49.5]	1.69 [42.9]	1.60 [40.6]	.70 [17.8]	1.02 [25.9]	1.95 [49.5]	1.68 [42.7]



CATALOG NO. SHC1027ZP  
(NOT SHOWN TO SCALE)



**NOTES:**

1. DIMENSIONS ARE IN INCHES [MM].
2. LOCKNUT PURCHASED SEPARATELY.
3. BUSHING COATED WITH AMBER PETROLEUM JELLY.
- 4 REFERENCE ONLY, DIMENSION MAY VARY.

WIRING DEVICE-KELLEMS HUBBELL INCORPORATED SHELTON, CT			
DR. BY	SR	APP. BY	
TR. BY		SCALE	1:1
CHK. BY	DDL	DATE	05/06/15

TOLERANCES UNLESS OTHERWISE SPECIFIED  
 .XX = ± .01  
 .XXX = ± .005  
 ANGLES = ± 2'

1	INITIAL RELEASE PER DCN 21189	DDL	05/06/15
REV	DESCRIPTION	APP	DATE

THE DESIGN AND DIMENSIONS OF THE PRODUCT SHOWN ON THIS DRAWING ARE SUBJECT TO CHANGE WITHOUT NOTICE

TITLE  
**STRAIGHT ZINC PLATED STEEL CORD CONNECTOR FORM 3 AND 4**

DIMENSION SHEET FOR CAT. NO. **M-12927**  
 REPAIRABLE  NON-REPAIRABLE  **B**  
 SEE TABLE  
 1