

Product Information Sheet

Grainger Item No.	2LNC9
Manufacturer's Item No.	HY60C (HY60-3P, black button)
Description	Rocker Switch
Contact Form	SPDT
Function	On / Off / On
The switch is lighted	No
Button Color	Black

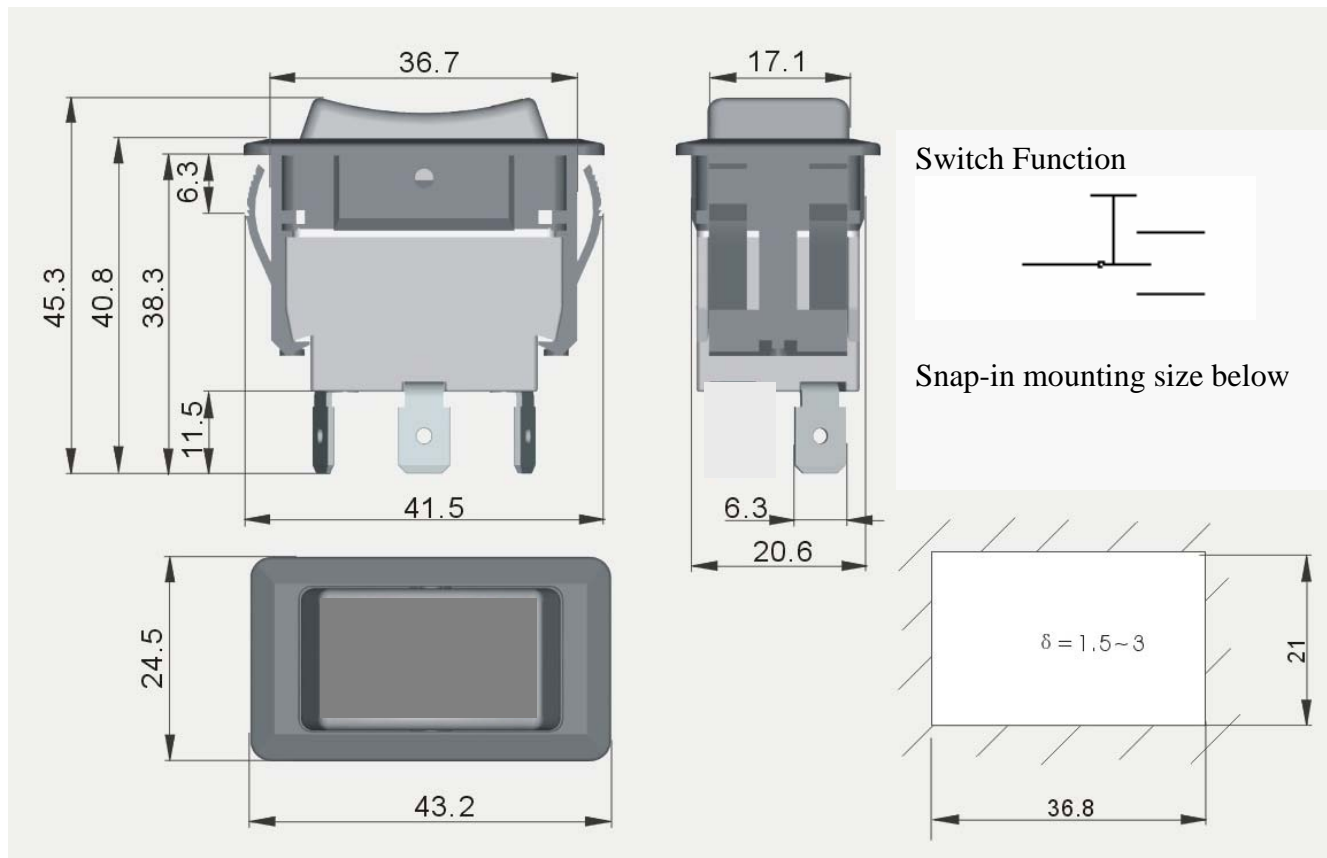


Electrical Specifications

Amp Rating	20 @ 125 VAC 15 @ 277 VAC
Horsepower	1.5 @ 110/250 VAC
Standards	UL, CUL (E195428), ENEC, CE

Mechanical Specifications

Operating Cycles	50000
Number of Connections	3
Terminal Type	6.3TAB
Mounting Type	Panel
Mounting Hole Size	0.82" x 1.45"
Operating Temperature	40 °C



All dimensions are in mm