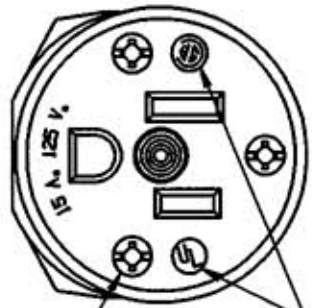
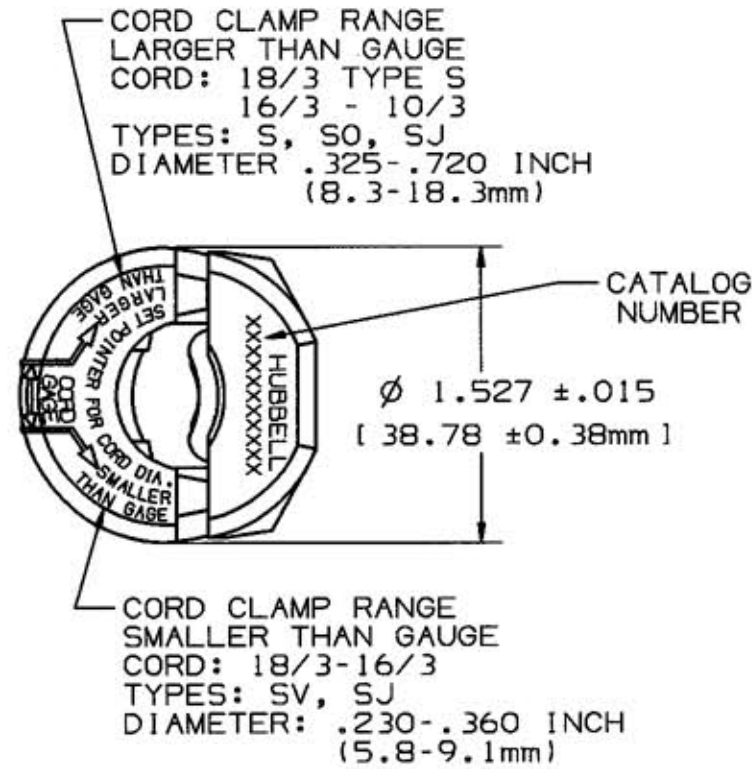
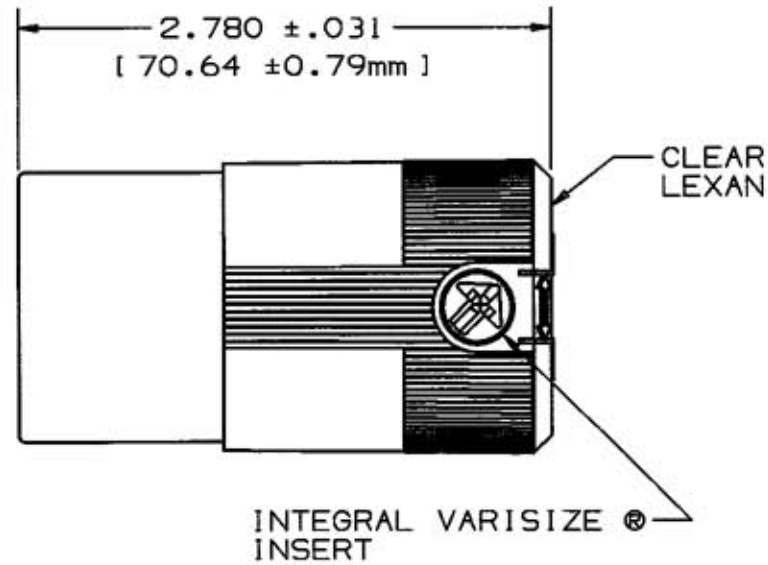
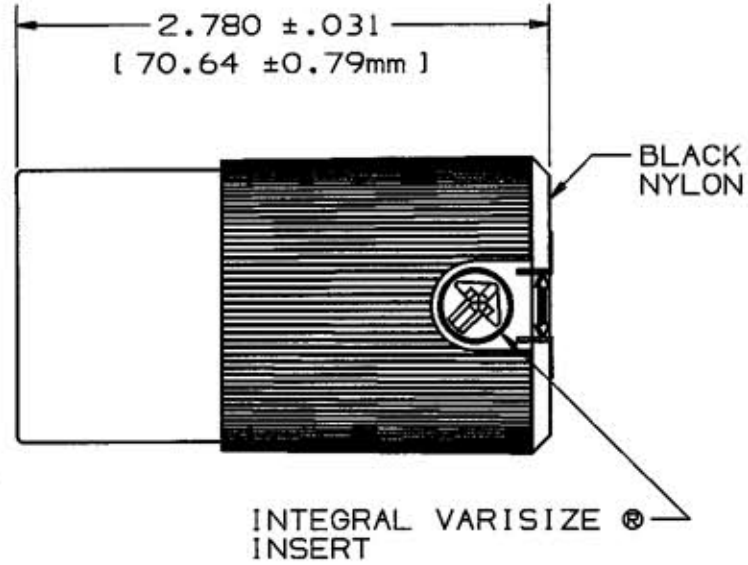


# M-7290 3



AGENCY LISTING PER TABLE

ALL SCREWS ARE COMBINATION ROBERTSON/PHILLIPS/SLOTTED HEAD



## LIST OF PARTS

DESCRIPTION	MATERIAL	FINISH
BODY	NYLON	NATURAL
RETAINER	POLYCARBONATE	CLEAR
COVER	NYLON	BLACK
COVER	POLYCARBONATE	CLEAR
INSERT	NYLON	BLACK
CORD CLAMP	NYLON	NATURAL
WIRE CLAMP	.080 CRS	NICKEL PL
BINDING PLATE	.040	
CONTACT SPRING	BRASS	
INNER SPRING	.040	
	BRASS	
BINDING SCREW	BRASS	*
GROUND HEX HEAD BINDING SCREW	BRASS	GREEN
GND CONTACT SPRING	.032	BRASS
CORD CLAMP SCREWS	STEEL	ZINC PL
ASSY SCREWS	STEEL	ZINC PL

\*WHITE FINISH ON NEUTRAL PARTS

SYM	REVISIONS	APP	DATE
3	IN LIST OF PARTS, "POLYCARBONATE WAS "LEXAN" IN 2 PLACES; PER DCN #8996. JMN	CJC CJC	2/19/02
2	CHANGED SCREWS TO TRI-DRIVE, OBSOLETE CANADIAN CATALOGS PER DCN #7773. AMZ	DB	7/24/00
1	"X" REMOVED PER DCN #3255 RCM	ZIMM	1/12/95

CAT. NO. (BLACK COVER & INSERT)	CAT. NO. (CLEAR COVER & BLACK INSERT)	CANADIAN CAT. NO. (BLACK COVER & INSERT)	CANADIAN CAT. NO. (CLEAR COVER & BLACK INSERT)	CONFIGURATION	RATING	U.L.	FED. SPEC.	C.S.A.
HBL8219C	HBL8219CT	HBL8219CCN	HBL8219CTCN	NEMA 5-15R	15A. 125V.	YES	YES	NO
HBL8319C	HBL8319CT	—	—	NEMA 5-20R	20A. 125V.	YES	NO	NO
—	—	HBL8319CCN	—	5-20R CANADIAN	20A. 125V.	YES	NO	YES

THE DESIGN AND DIMENSIONS OF THE PRODUCT SHOWN ON THIS DRAWING ARE SUBJECT TO CHANGE WITHOUT NOTICE

TITLE INSULGRIP® HOSPITAL GRADE 2 POLE 3 WIRE GROUNDING STRAIGHT BLADE CONNECTOR

TOLERANCES UNLESS OTHERWISE SPECIFIED	WIRING DEVICE-KELLEMS HUBBELL INCORPORATED BRIDGEPORT, CT	
FRACTIONS ±1/64	DR. BY RCM	APP. BY
DECIMALS ±.005	TR. BY	SCALE $\frac{1}{2}$
ANGLES ±2°	CHK'D BY	DATE 1/12/95

DIMENSION SHEET FOR CAT. NO. M-7290  
 SEE TABLE  
 REPAIRABLE  NON-REPAIRABLE   
 B  
 M-7290  
 3