

Dayton Sewage Pumps



PUMPS technical data sheet

Submersible Sewage pumps are designed to remove sewage wastewater from a residential home or commercial office. These pumps are designed to pass the typical suspended solids associated with sewage wastewater. Sewage pumps typically operate intermittently and automatically with a float switch and can accommodate solids up to 2" in diameter.

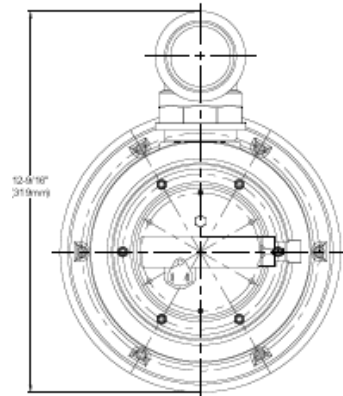
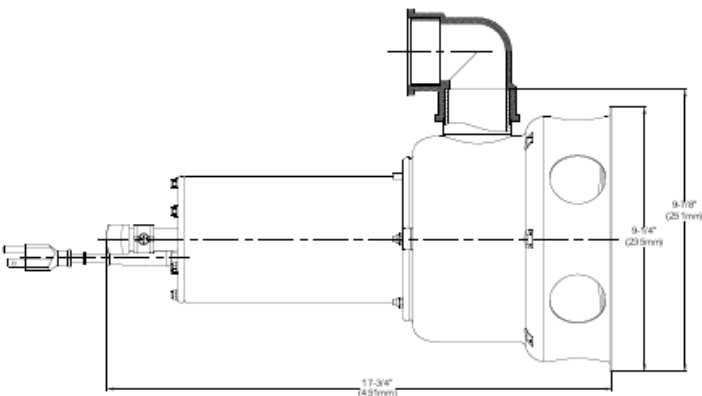


2JGA7
1 HP, Stainless Steel
Submersible Sewage Pump

HP	1
Voltage	460V
Phase	3
Frequency	60 Hz
Run Amps	3A
Start Amps	9.5A
RPM	3450
Motor Type	3-phase Oil-filled

Overload Protection	None - Requires Control Panel
Motor Shaft Material	Stainless Steel
Motor Housing Material	Stainless Steel
Motor Duty	Continuous
Motor End Bearing	Single Row Ball
Pump End Bearing	Single Row Ball
Lubrication	Oil Lubricated
Discharge	2 Inch MNPT, Horizontal
Volute Material	Stainless Steel
Base Material	Stainless Steel
Impeller Type	Open Vortex
Impeller Material	Stainless Steel
Hardware Material	Stainless Steel
O-rings	Buna-N
Seal Type	Single Mechanical
Seal Materials	Carbon/Ceramic/Buna N
Operation	Manual Operation
Power Cord	14/4 SJTOW, 20' (6.1m), Stripped Leads
Max. Solids Handling	2" (5.1cm) spherical
Max. Water Temperature	130°F (54°C)
Designed Fluid Environment	Water / Sewage Wastewater

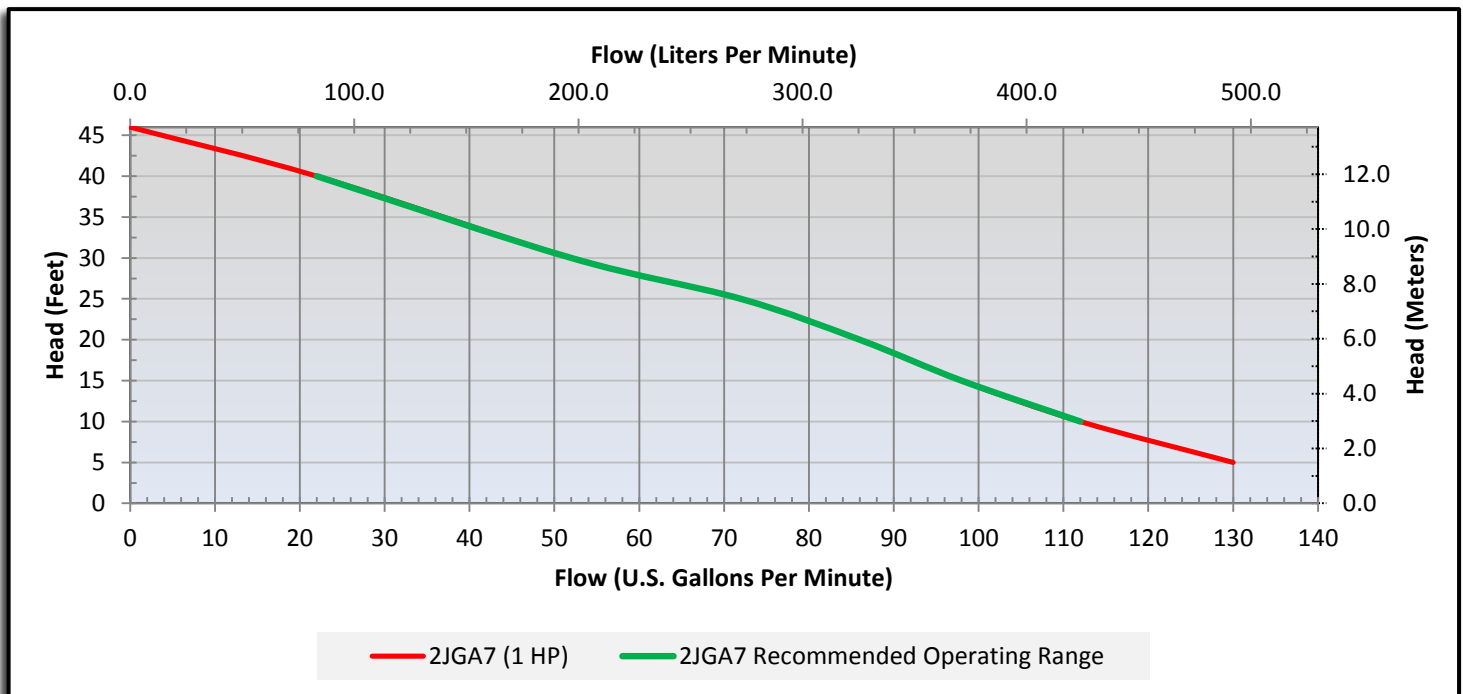
Outline Dimensions



Performance Data

Head	Feet	5	10	15	20	25	30	40	46
	Meters	1.5	3.1	4.6	6.1	7.6	9.1	12.2	14.0
Flow Rate	GPM	130	112	98	86	72	52	22	0
	LPM	492	424	371	326	273	197	83	0

Performance Chart



WARNING: Use only with nonflammable liquids compatible with pump component materials and in nonflammable/nonexplosive atmospheres.

Call or visit your local branch or go to grainger.com/dayton for complete product line information

Find it at Grainger.

© 2013 W.W. Grainger, Inc.

