

# Dayton Submersible Effluent Pumps



## PUMPS technical data sheet

Submersible Effluent Pumps are designed for wastewater transfer or removal. These pumps remove pretreated liquid waste discharge from an onsite sewage treatment system such as a septic tank. Effluent pumps typically operate intermittently and automatically with a float switch and can accommodate solids up to 3/4" in diameter.

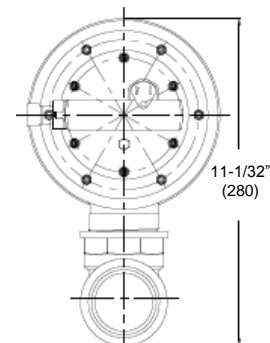
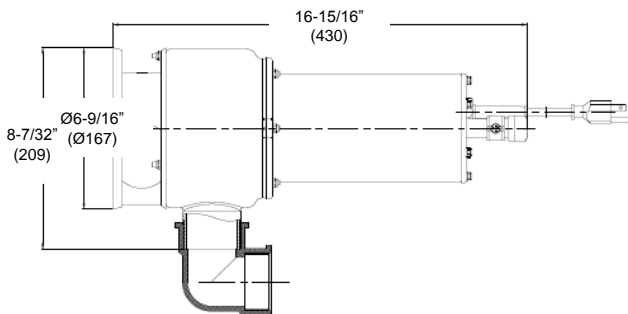


### 2JGA2 4/10 HP, Stainless Steel Submersible Effluent Pump

<b>HP</b>	4/10
<b>Voltage</b>	115V
<b>Phase</b>	Single
<b>Frequency</b>	60 Hz
<b>Run Amps</b>	9.75A
<b>Start Amps</b>	21.5A
<b>RPM</b>	3450
<b>Motor Type</b>	PSC Oil-filled with Class B insulation

<b>Overload Protection</b>	Internal Thermal Overload
<b>Motor Shaft Material</b>	Stainless Steel
<b>Motor Housing Material</b>	Stainless Steel
<b>Motor Duty</b>	Intermittent
<b>Motor End Bearing</b>	Single Row Ball
<b>Pump End Bearing</b>	Single Row Ball
<b>Lubrication</b>	Oil Lubricated
<b>Discharge</b>	2 Inch FNPT, Horizontal
<b>Volute Material</b>	Stainless Steel
<b>Base Material</b>	Stainless Steel
<b>Impeller Type</b>	Open Vortex
<b>Impeller Material</b>	Stainless Steel
<b>Hardware Material</b>	Stainless Steel
<b>O-rings</b>	Buna-N
<b>Seal Type</b>	Single Mechanical
<b>Seal Materials</b>	Carbon/Ceramic/Buna-N
<b>Operation</b>	Automatic / Tethered Switch
<b>Power Cord</b>	16/3 SJTW, 20' (6.1m), NEMA 5-15P 120V Plug
<b>Max. Solids Handling</b>	1-1/2" (3.8cm) spherical
<b>Max. Water Temperature</b>	130 F (55 C)
<b>Designed Fluid Environment</b>	Water / Wastewater / Effluent
<b>Switch Type</b>	Tether
<b>Switch Cord</b>	20' (6.1m) SJOW Power Cord
<b>Switch Plug</b>	NEMA 5-15P Piggyback Plug
<b>Switch Max. Run Amps</b>	13A
<b>Switch Max. Start Amps</b>	60A
<b>Switch Pumping Range</b>	On at 11.5" (292mm) Off at 4.25" (108mm)

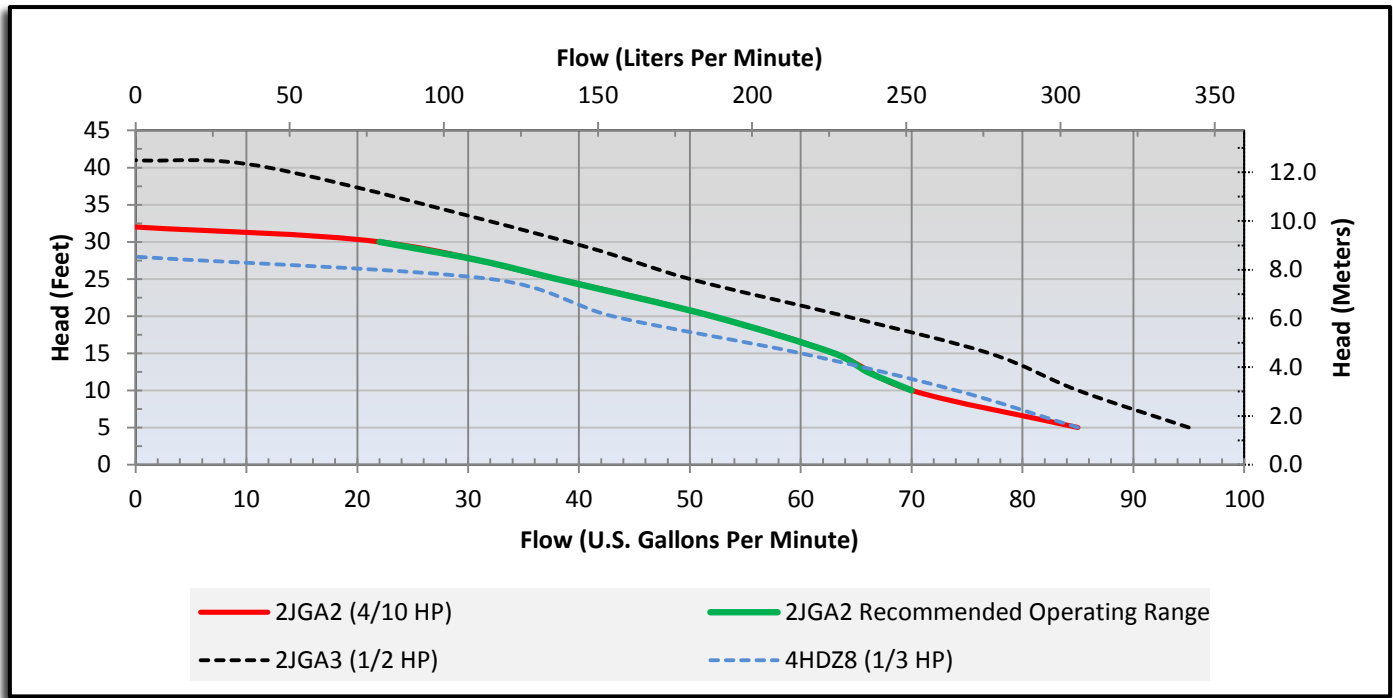
### Outline Dimensions



## Performance Data

Head	Feet	5	10	15	20	25	30	32
	Meters	1.5	3.1	4.6	6.1	7.6	9.1	9.8
Flow Rate	GPM	85	70	63	52	38	22	0
	LPM	322	265	238	197	144	83	0

## Performance Chart



**WARNING:** Use only with nonflammable liquids compatible with pump component materials and in nonflammable/non-explosive atmospheres.

Call or visit your local branch or go to [grainger.com/dayton](http://grainger.com/dayton) for complete product line information



Find it at Grainger.

© 2013 W.W. Grainger, Inc.