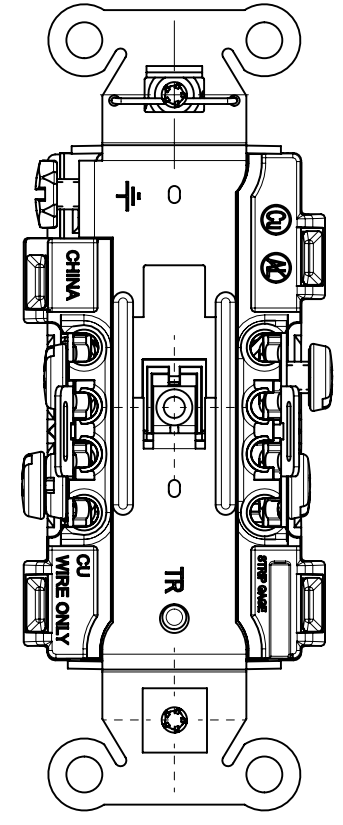
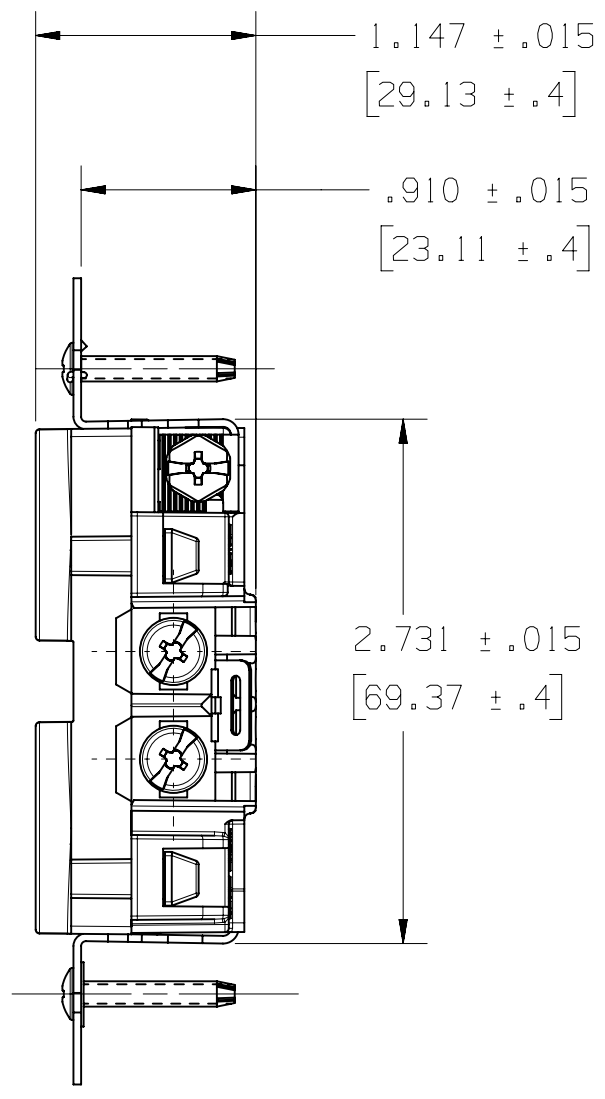
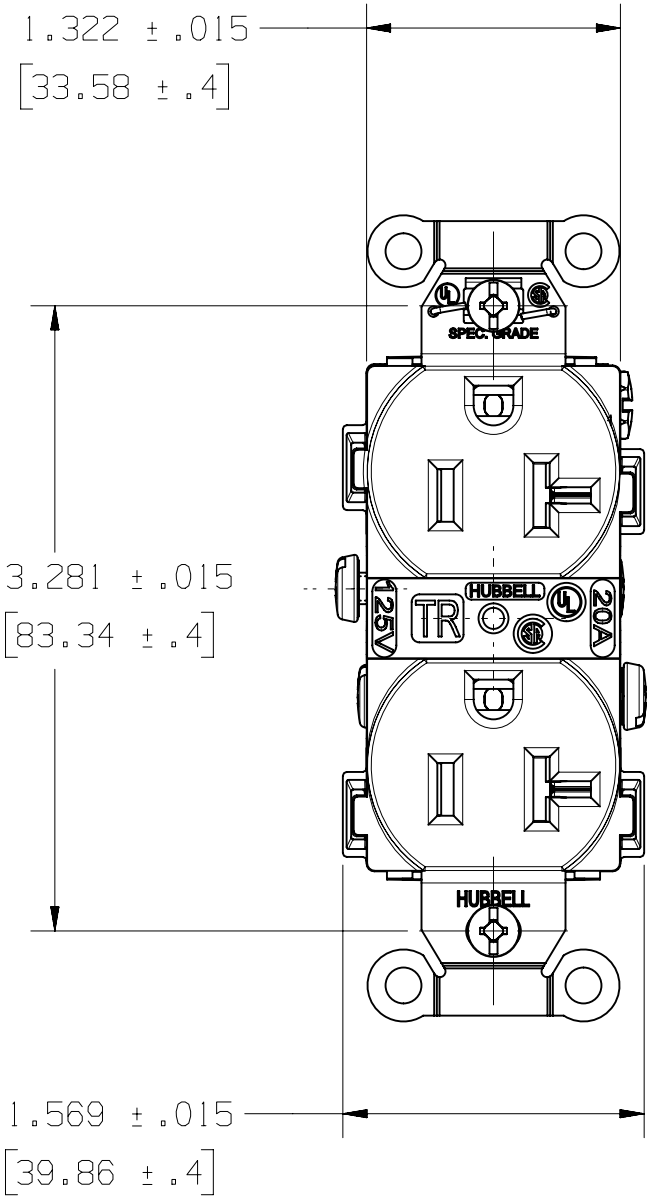


M-10513 4



NOTES:
 1) DIMENSIONS ARE IN INCHES [MM].
 2) ALL DEVICES UL LISTED AND CSA CERTIFIED.
 3) TERMINALS ACCOMMODATE #14-#10 AWG COPPER WIRE ONLY.

CATALOG NUMBERS

BROWN	IVORY	GRAY	WHITE	BLACK		BLUE	LIGHT ALMOND	RED	ORANGE	OFFICE WHITE	GREEN
BR20TR	BR201TR	BR20GRYTR	BR20WH1TR	BR20BLKTR		BR20BLTR	BR20LATR	BR20RTR	-----	-----	BR20GNTR

LIST OF PARTS		
DESCRIPTION	MATERIAL	FINISH
TOP	PC	SPI A-3
BASE	PC	SPI A-3
LINE CONTACTS	BRASS	
GROUND CONTACTS	BRASS	
CONTACT SCREW (NEU)	STEEL	NI PLT
CONTACT SCREW (HOT)	STEEL	
BRIDGE	.04 GALV STL	
GROUND SCREW	STEEL	GREEN
STAPLE	S.S.	
WASHER	PVC FILM	BLACK
MOUNTING SCREW	STEEL	ZINC PLT

SYM	REVISIONS	APP	DATE
4	CHG MATL TOP AND BASE TO PC, REMOVED ALMOND EC 200227110910 JPQ	WHD	02/26/20
3	ADDED CATALOG No. BR20GNTR (GREEN) TO TABLE PER DCN 23477 RM	DJP	12/18/17
2	TABLE ADDED (BLUE) BR20BLTR AND (RED) BR20RTR. PER DCN 17596 SPN	DJP	4/11/11
1	RELEASED PER DCN# 14341 WRV		12/21/07

THE DESIGN AND DIMENSIONS OF THE PRODUCT SHOWN ON THIS DRAWING ARE SUBJECT TO CHANGE WITHOUT NOTICE

TITLE
 HUBBELL
 20A 125V, 2P 3W, TAMPER RESISTANT
 SMOOTH FACE DUPLEX RECEPT.
 BACK & SIDE WIRE

TOLERANCES UNLESS OTHERWISE SPECIFIED .XX = ± .01 .XXX = ± .005 ANGLES = ± 2°	WIRING DEVICE-KELLEMS HUBBELL INCORPORATED SHELTON, CT	
	DR. BY WRV	APP. BY
	TR. BY	SCALE 1:1
	CHK. BY	DATE 3/07

DIMENSION SHEET FOR CAT. NO. REPAIRABLE NON-REPAIRABLE B M-10513 4