

Kellems® Wire Management Products
 Low Profile NPT Cord Connectors
 Non-Metallic Cord Connectors

HUBBELL

Features

- Low profile
- Connector body is a one-piece design with machined threads

Ordering Information

Description	Color	UPC	Catalog Number
Low Profile, NPT Cord Connectors	Black	783585018126	SEC50BA



Listings

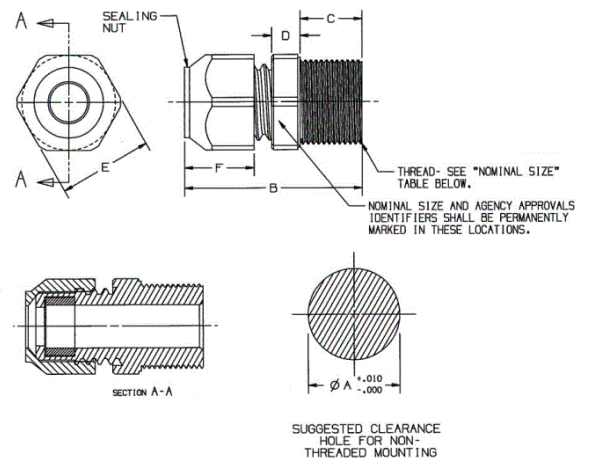
UL Listed
 CSA Certified

Specifications

Body	Nylon
Gland	Buna N
NPT HUB Size	1/2 Inch
Cord Diameter Inches (mm)	.17"-.45" (4.3-11.4)

Performance

Environmental	
Flammability	UL 94V-2
Operating Temperatures	-22°F to 225°F (-30°C to 107°C)
Protection Class	IP66 Suitability



Online Resources

Customer Use Drawing
 eCatalog

Dimensions in Inches (mm)

Hubbell Wiring Device-Kellems • Hubbell Incorporated (Delaware) • 40 Waterview Drive • Shelton, CT 06484

Phone (800) 288-6000 • Fax (800) 255-1031 • Specifications subject to change without notice.

