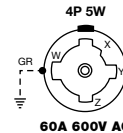
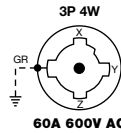


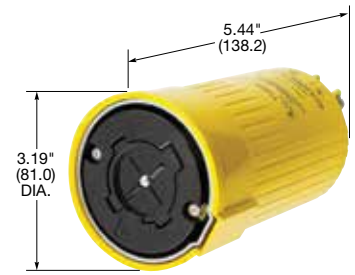
## 60 Amp, 600 Volts AC

**IP30**  
SUITABILITY

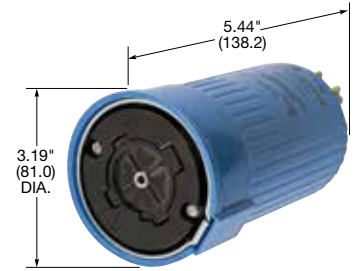


### Connector Bodies

Description	Cord Dia.	Catalog Number
Black phenolic interior with yellow thermoplastic sleeve over steel cover.	.920"-1.450" (23.36-36.83)	<b>HBL26418</b> -
Black phenolic interior with blue thermoplastic sleeve over steel cover.	1.00"-1.50" (25.40-38.10)	- <b>HBL26516</b>



**HBL26418**

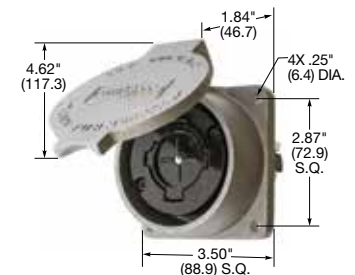


**HBL26516**

**IP44**  
SUITABILITY

### Receptacles

Description	Catalog Number
Black phenolic interior with short aluminum housing and lift cover.	<b>HBL26410</b> -
Black phenolic interior with long aluminum housing and lift cover.	<b>HBL26420</b> -
Black phenolic interior with long aluminum housing with lift cover and blue finish.	- <b>HBL26520</b>

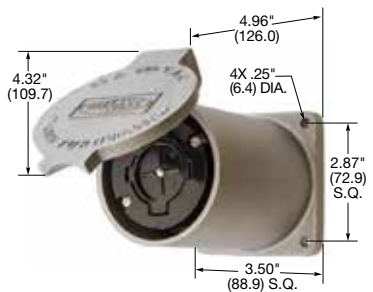


**HBL26410**

**IP30**  
SUITABILITY

### Flanged Receptacles

Description	Catalog Number
Black phenolic interior with steel housing and flange.	<b>HBL26421</b> -
Black phenolic interior with steel housing and flange with blue finish.	- <b>HBL26521</b>

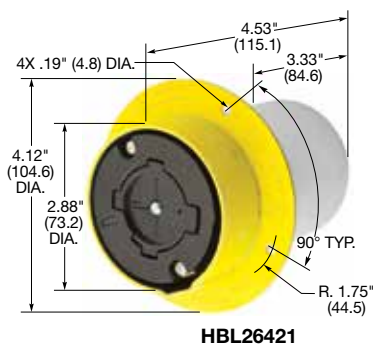


**HBL26420**

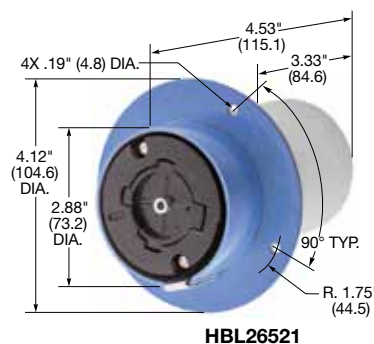
### Receptacle Box and Adapter Plates (Box requires one adapter)

Description	Catalog Number
Box, cast aluminum, only for 60A Hubbell receptacles.	<b>HBL26401</b>
Straight adapter plate.	<b>HBL26402</b>
45° adapter plate.	<b>HBL26404</b>

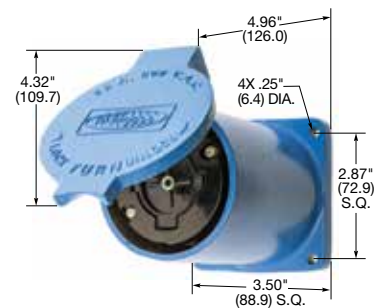
Note: Straight or angle adapter plate must be used when mounting a 60A receptacle to HBL26401 box. Cannot be used with round flanged receptacles and inlets. See page B-70 for additional information.



**HBL26421**



**HBL26521**



**HBL26520**

Dimensions in Inches (mm)