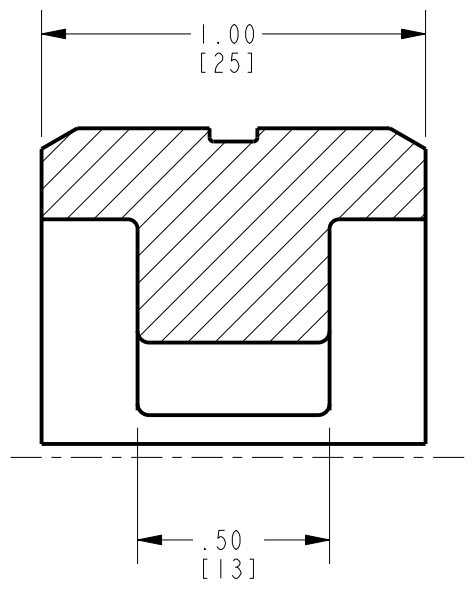
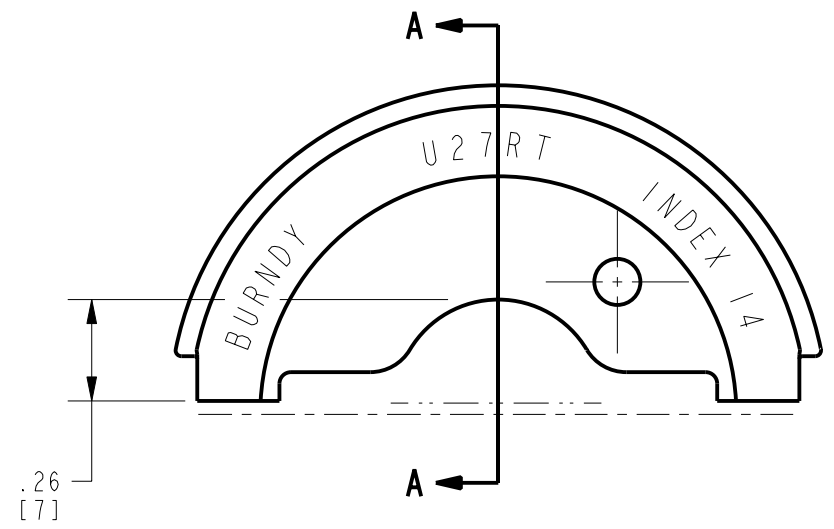
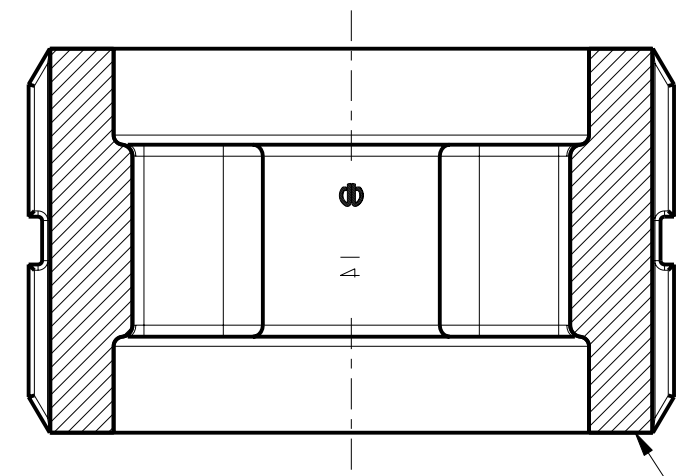
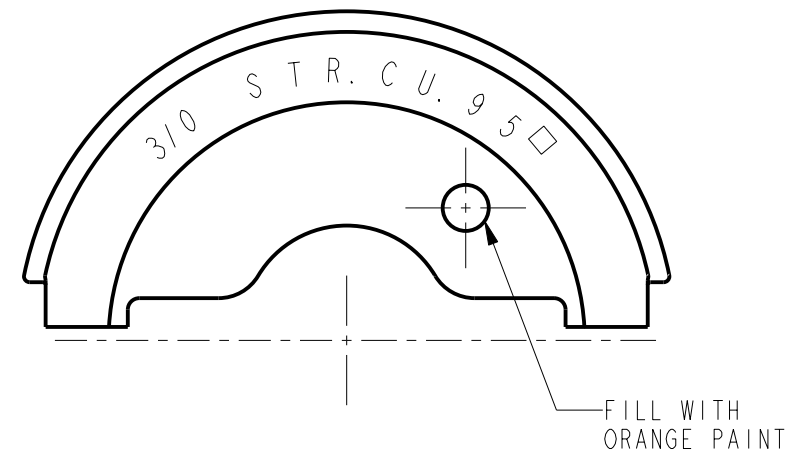


| REV. | DATE | DESCRIPTION | ECO | BY | C'H'K. |
|------|-----------------------|---------------------------|-------|----|--------|
| A | 6/16/2009 12:30:00 PM | NEW SALES DRAWING RELEASE | 18372 | IA | BSK |



SECTION A-A



BUTTING SURFACES TO MATING DIES

NOTES:

1. DIMENSIONS IN BRACKETS [] ARE IN MILLIMETERS ROUNDED OFF TO THE NEAREST MILLIMETER, UNLESS OTHERWISE SPECIFIED, AND ARE FOR REFERENCE ONLY.
2. DIE INSPECTION GAUGE CATALOG NUMBER (CUSTOMER & ENGINEERING USE ONLY): UPG14.
3. 4/0 STR. & SMALLER, THE SAME DIES WILL CRIMP CLASS "B" THRU "M" STRANDING.
4. MATERIAL: STAINLESS STEEL.

TO ORDER BURNDY® PRODUCTS CALL
 UNITED STATES:
 1-800-346-4175 (LONDONDERRY, NH)
 CANADA:
 1-800-361-6975 (QUEBEC)
 1-800-387-6487 (ALL OTHER PROVINCES)
 FOR PRODUCT INFO: <http://www.burndy.com>

| CIRCULAR BUTTING TWIN DIE | |
|----------------------------------|--------------|
| ITEM NO: 421535 | |
| CAT. NO: U27RT | |
| DRAWN BY: I. ANBALAGAN 06/16/09 | |
| CHECKER: -- | |
| DSN APPVL: -- | |
| MFG APPVL: -- | |
| QA APPVL: -- | |
| MKT APPVL: -- | |
| PROD FAM: TOOLS-HYDRAULIC/U-DIES | SCALE: 2:1 |
| PROJECT #: -- | DRAWING NO |
| DOCUMENT TYPE: Sales | 10102818 |
| REL LEVEL: Released | B |
| | SHEET 1 OF 1 |
| | A |

REV: PE0200