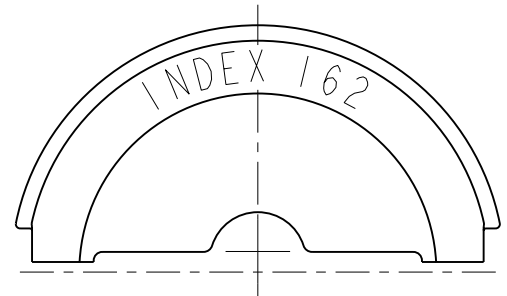
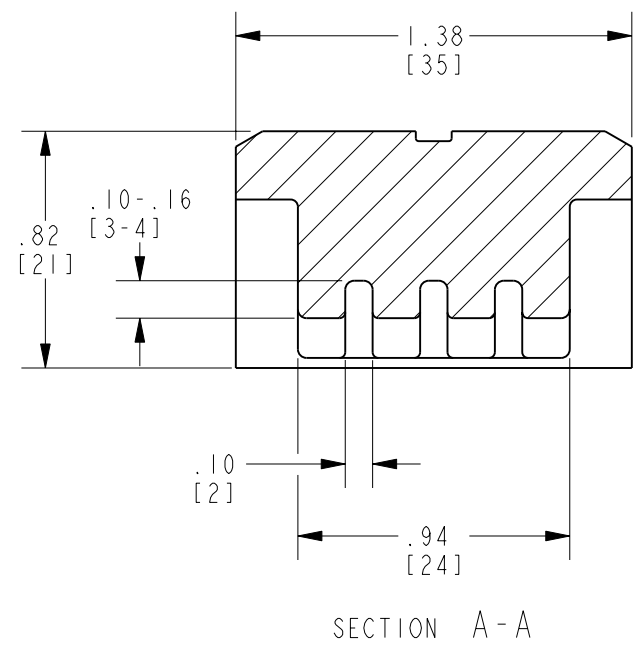
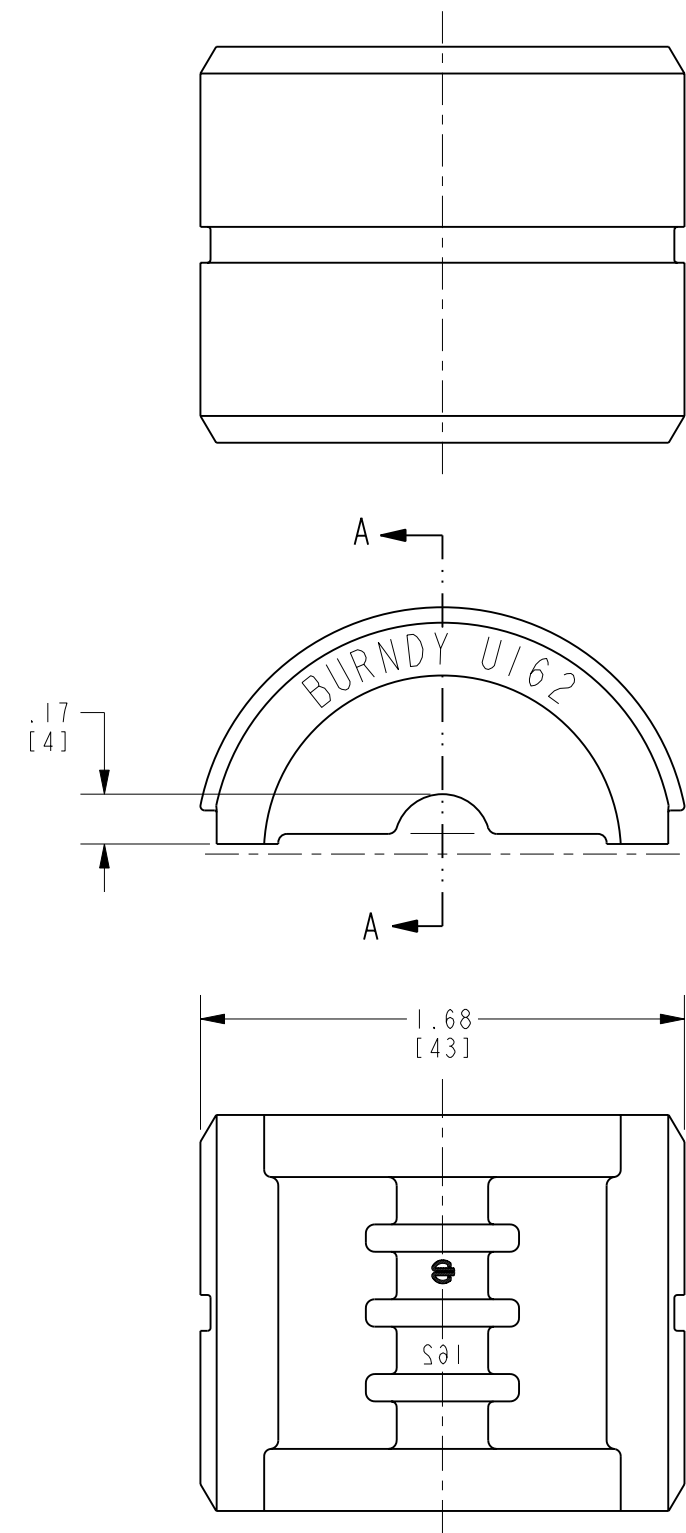


REV.	DATE	DESCRIPTION	ECO	BY	C'H'K.
A	7/16/2010 12:00:00 AM	SALES DRAWING RELEASED	21540	RM	JG



NOTES:

1. DIMENSIONS IN [] BRACKETS ARE IN MILLIMETERS, ROUNDED OFF TO THE NEAREST MILLIMETER, UNLESS OTHERWISE NOTED. METRIC DIMENSIONS ARE FOR REFERENCE ONLY.
2. DIE INSPECTION GAGE CATALOG NUMBER (CUSTOMER AND ENGINEERING USE ONLY): N/A
3. MATERIAL: STAINLESS STEEL.

TO ORDER BURNDY® PRODUCTS CALL
 UNITED STATES:
 1-800-346-4175 (LONDONDERRY, NH)
 CANADA:
 1-800-361-6975 (QUEBEC)
 1-800-387-6487 (ALL OTHER PROVINCES)
 FOR PRODUCT INFO: <http://www.burndy.com>

CIRCULAR BUTTING TWIN DIE			
ITEM NO: N/A			
CAT. NO: U162			
DRAWN BY: R. MURUGESAN	7/8/2010		
CHECKER: --	--		
DSN APPVL: --	--		
MFG APPVL: --	--		
QA APPVL: --	--		
MKT APPVL: --	--		
PROD FAM: TOOLS_HYDRAULIC/U_DIE	SIZE	DRAWING NO	REV
PROJECT #: --	B	30003044	A
DOCUMENT TYPE: Sales			
REL LEVEL: Released			

REV: PE0200