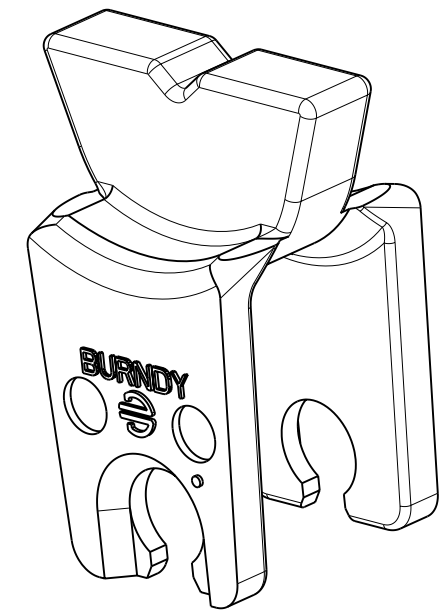
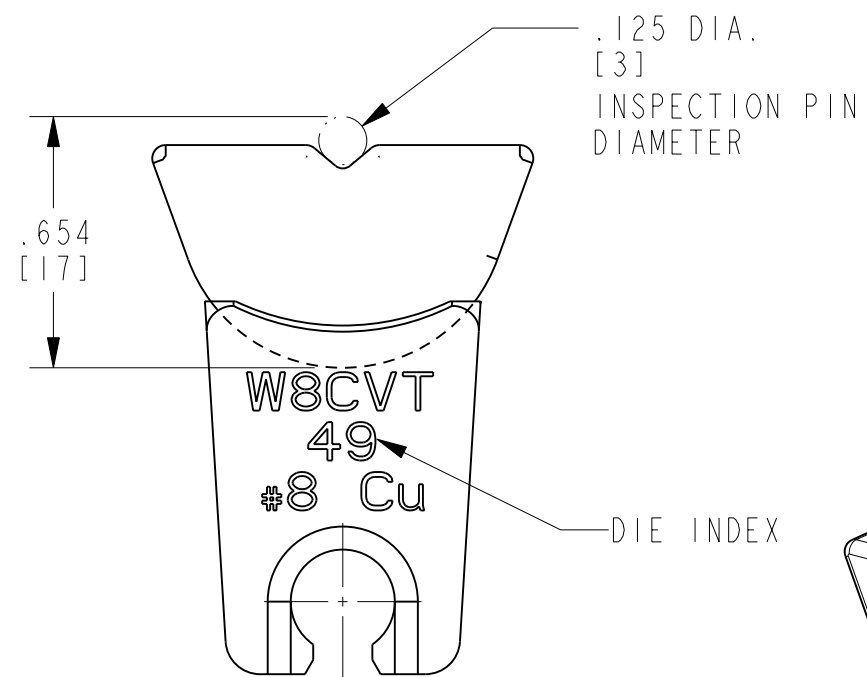
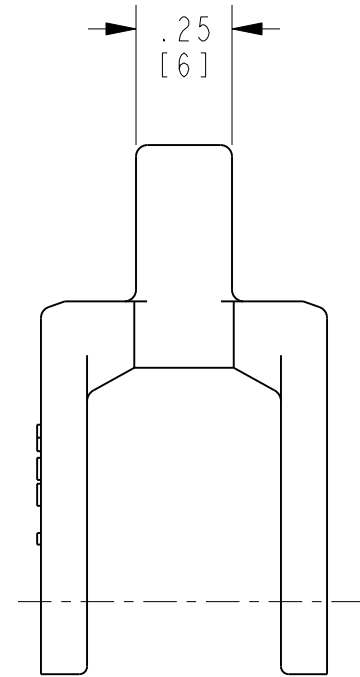
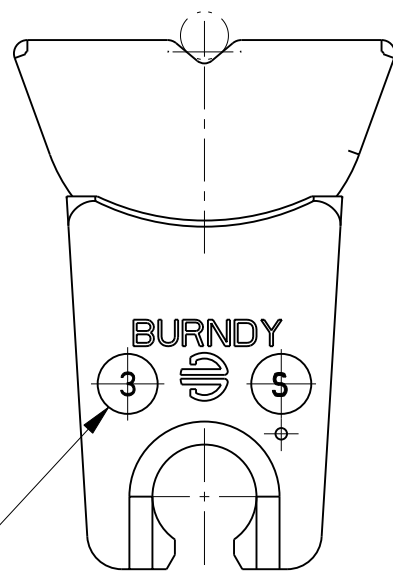
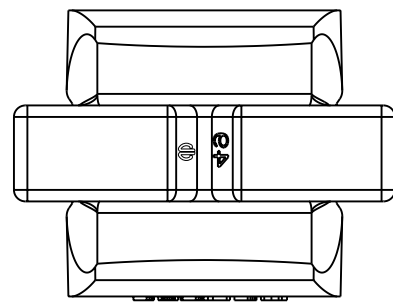


REV.	DATE	DESCRIPTION	ECO	BY	C'H'K.
B	03/18/2015 00:00:00 AM	UPDATED AS PER MARKUP	38811	MG	RM



NOTES:
 1. DIMENSIONS IN BRACKETS [] ARE IN MILLIMETERS ROUNDED OFF TO THE NEAREST MILLIMETER, UNLESS OTHERWISE NOTED, AND ARE FOR REFERENCE ONLY.

- 2. MATERIAL: STAINLESS STEEL
- 3. CATALOG NUMBER CONSIST OF TWO DIE HALVES.

TO ORDER BURNDY® PRODUCTS CALL
 UNITED STATES:
 1-800-346-4175 (LONDONDERRY, NH)
 CANADA:
 1-800-361-6975 (QUEBEC)
 1-800-387-6487 (ALL OTHER PROVINCES)
 FOR PRODUCT INFO: <http://www.burndy.com>

W-DIES		SCALE: 2:1	
ITEM NO:	464321	DRAWING NO	10102364
CAT. NO:	W8CVT	REV	B
DRAWN BY:	M RAJASEKAR 06/01/09		
CHECKER:	R RICK 06/11/09		
DSN APPVL:	A JOHN 06/11/09		
MFG APPVL:	H SHANE 06/16/09		
QA APPVL:	--		
MKT APPVL:	P ROBERT 06/11/09		
PROD FAM:	TOOLS_MECHANICAL		
PROJECT #:	--		
DOCUMENT TYPE:	Sales		
REL LEVEL:	Released		

REV: PE0200