

Industrial Grade Extra Heavy Duty Ground Fault Receptacle Autoguard Self-Test GFCI 15A, Tamper-Resistant, Weather-Resistant

HUBBELL

Features

- Heavy duty robust construction, high impact resistant polyester housing
- Corrosion Resistant: nickel-plated face contacts, mounting strap, line/load terminals and terminal clamps, stainless steel screws
- Patented auto monitor, power denial technology



15A 125V
NEMA 5-15R
UL CSA
0.5 HP



Ordering Information

| Description | Color | UPC Number | Catalog Number |
|---|-------|--------------|----------------|
| 15A, 125V, Style Line, AUTOGUARD self test GFCI receptacle, tamper-resistant and weather-resistant, flush face, back and side wired | Ivory | 783585581019 | GF5262SGI |

Listings

| | |
|---|--|
| UL Listed - Canadian and U.S. Meets ADA Standard Meets are NEC requirements | CSA Certified Fed Spec NEMA WD-6 Complaint |
|---|--|

Specifications

| | | | |
|----------------|-----------------------|-----------------|---------------------|
| Face | Natural (white) nylon | Ground Contacts | Nickel Plated Brass |
| Base | Clear polycarbonate | Mounting Strap | Nickel Plated Brass |
| Power Contacts | Nickel Plated Brass | Mounting Screw | Stainless Steel |

Performance

Electrical

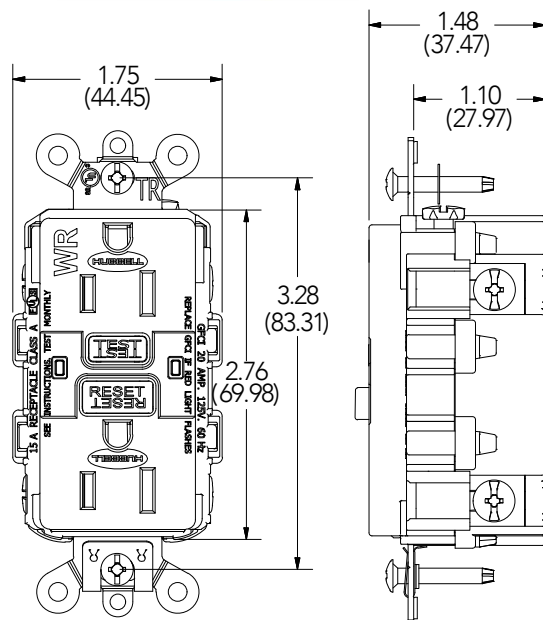
| | | | |
|--------------|----------------------|----------------|-------------------------|
| Amperage | 15A | Flammability | V0 per UL 94 |
| Feed-through | 20 Amp Protection | Operating Temp | -35 C to 66 C |
| Voltage | 120V AC (-15%, +10%) | Trip Level | 4 mA to 6mA (0.025 sec) |
| Frequency | 60 Hz | Short Circuit | 10,000 Amps |
| Dielectric | Withstand 1,500V | | |

Construction

| | | | |
|-----------------------|-----------------|-------------------|--------------|
| Termination | Back and Side | Power Indicator | Solid Green |
| Terminal | #14 to #10AWG | GF/Trip Indicator | Solid Red |
| Grounding | Autoground Clip | End of Life | Flashing Red |
| Printed Circuit Board | Conformal Coat | | |

Certifications

| | | | |
|------------|----------------------|-------------|------------------|
| UL Listing | E41978 Fed Spec. | NEC/CEC | TR, WR Resistant |
| UL Std 498 | Receptacle | CSA Listing | LR24886 |
| UL Std 943 | GFCI | CSA Std | C22.2 No. 42 |
| UL Std 943 | Dust Protection | CSA Tech | No. M-02A |
| UL 943 | Corrosion Resistance | | |



Accessories

Description

- (1) Matching Nylon and
- (1) Stainless Wall Plate Included

Links

Customer Drawings
Instruction Installations
Media