



Technical data

Voltage	U	120	V
Phase		1	~
Frequency		60	Hz
Speed		1655	RPM
Power consumption	P _e	300	W
Nominal current	I	3.2	A
Maximum current	I	3.7	A
Capacitor		25/250	μF
Ambient temperature	T _{amb min/max}	-13...104	°F
Insulation Class		CL.F	
IP Class Fan		IP55	
Weight		26.1	Lbs.
Packing dimensions		24.4x24.4x12.4	inch

Fan details

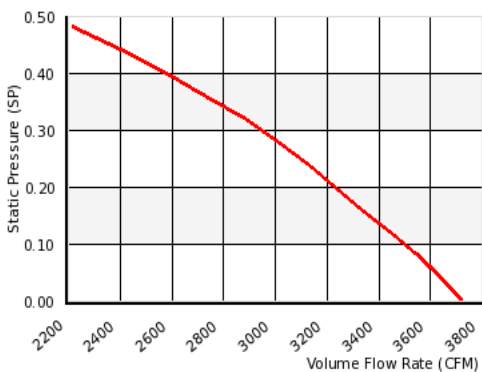
Impeller blades	6
Impeller type	3
Impeller system	C
Impeller material	PP

Control options

Triac controller	Yes
Transformer	Yes
Frequency drive	No
Intelligent Fan Drive	No

Characteristics

0.00 in. wg	3737 CFM
0.20 in. wg	3237 CFM



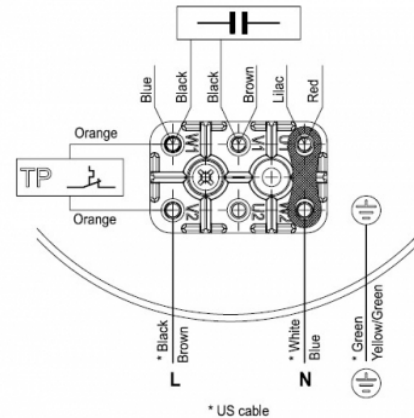
Please note: Picture may deviate from original product

Approval(s)

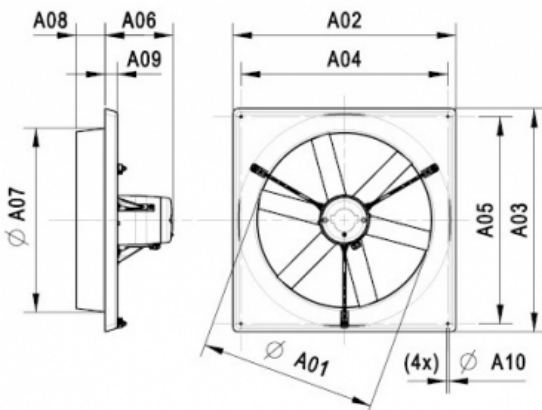


Wiring diagram - Fan

AA01 - 1 Phase - Standard - CCW



Dimensions



A01	18.1 inch
A02	23.3 inch
A03	23.3 inch
A04	21.5 inch
A05	21.5 inch
A06	9.7 inch
A07	19.3 inch
A08	3.3 inch
A09	1.4 inch
A10	0.3 inch