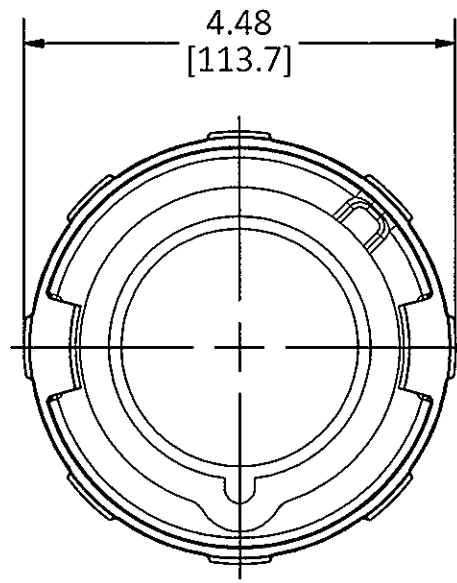
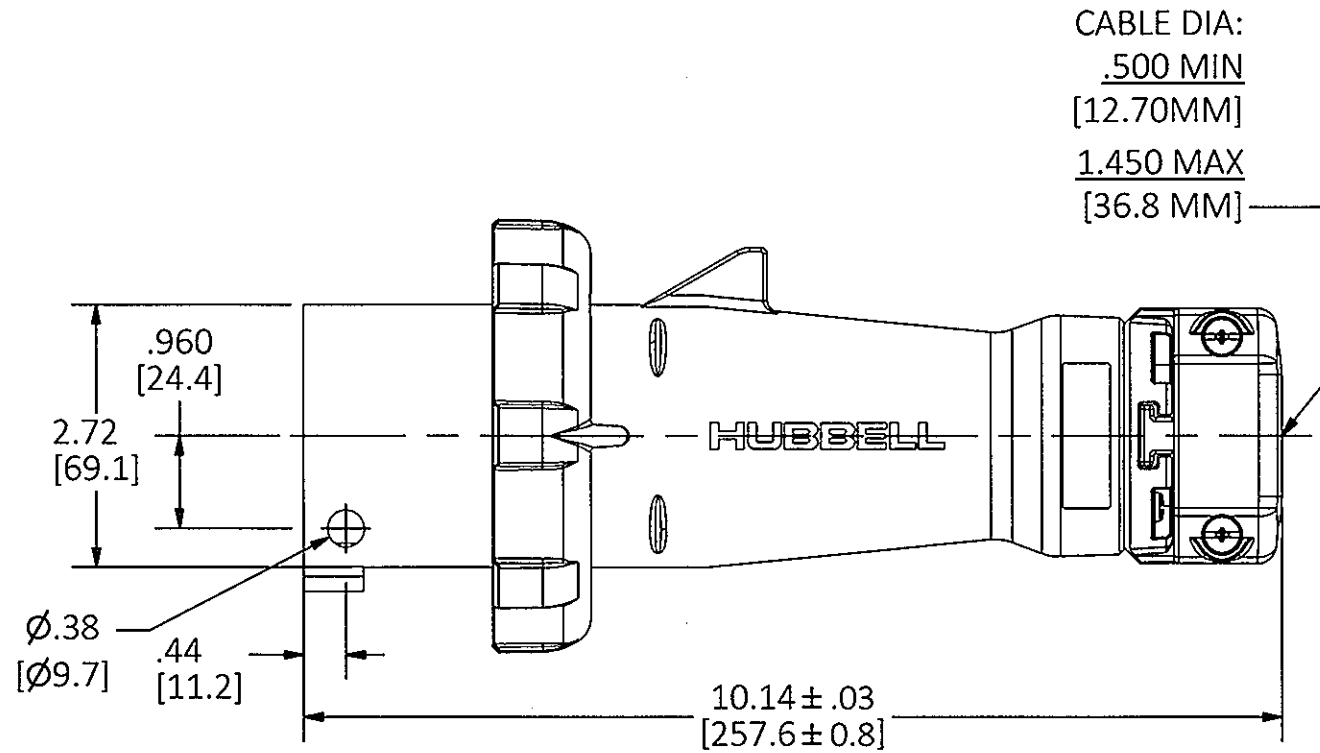


M-13333

1

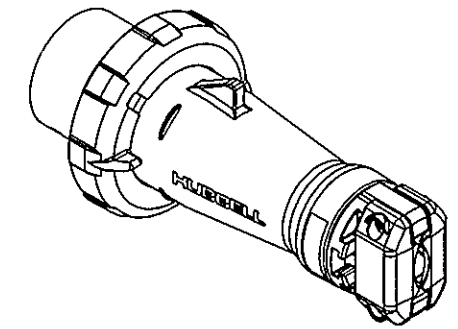


(INTERIOR NOT SHOWN)



CABLE DIA:
.500 MIN
[12.70MM]
1.450 MAX
[36.8 MM]

LIST OF PARTS		
DESCRIPTION	MATERIAL	FINISH
HOUSING	PBT	
GASKET	RUBBER	
LOCKING RING	PBT	
INTERIOR	THERMOSET	
PINS	BRASS	
TERM. SCREWS	ST. STEEL	
GLAND CAP	PBT	
GLANDS	RUBBER	
CLAMPS	PBT	
CLAMP NUTS	BRASS	NICKEL
ASSY SCREWS	ST. STEEL	



CAT. NO.	CONFIG.	RATING	HOUSING COLOR	PILOT
HBL560P5W		60A 347/600VAC 3Ø	BLACK	NO
HBL560P5WP		60A 347/600VAC 3Ø	BLACK	YES
HBL560P6W		60A 200/346-240/415VAC 3Ø 63A - 6h/200/346-240/415V~	RED	NO
HBL560P6WP		60A 200/346-240/415VAC 3Ø 63A - 6h/200/346-240/415V~	RED	YES
HBL560P6V02		60A 200/346-240/415VAC 3Ø 63A - 6h/200/346-240/415V~	RED	NO
HBL560P7W		60A 277/480VAC 3Ø	RED	NO
HBL560P7WP		60A 277/480VAC 3Ø	RED	YES
HBL560P9W		60A 120/208VAC 3Ø 63A - 9h/120/208-144/250V~	BLUE	NO
HBL560P9WP		60A 120/208VAC 3Ø 63A - 9h/120/208-144/250V~	BLUE	YES
HBL560P9WR		60A 120/208VAC 3Ø	BLUE	NO

1	INITIAL RELEASE PER DCN 21982 Mr. B	TL5	3/10/16
REV	DESCRIPTION	APP	DATE

THE DESIGN AND DIMENSIONS OF THE PRODUCT SHOWN ON THIS DRAWING ARE SUBJECT TO CHANGE WITHOUT NOTICE. DIMENSIONS ARE IN INCHES [mm].

TITLE
60A & 63A 4 POLE 5 WIRE PIN AND SLEEVE PLUGS

WIRING DEVICE-KELLEMS
HUBBELL INCORPORATED
SHELTON, CT

TOLERANCES UNLESS OTHERWISE SPECIFIED .XX = ± .01 .XXX = ± .005 ANGLE TOL. ±2	DR. BY Mr. B	SCALE 1:2
	CHK. BY TLS	DATE 3/2/16

DIMENSION SHEET FOR CAT. NO. SEE TABLE

B

M-13333

1