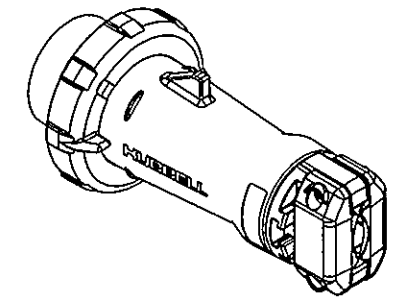
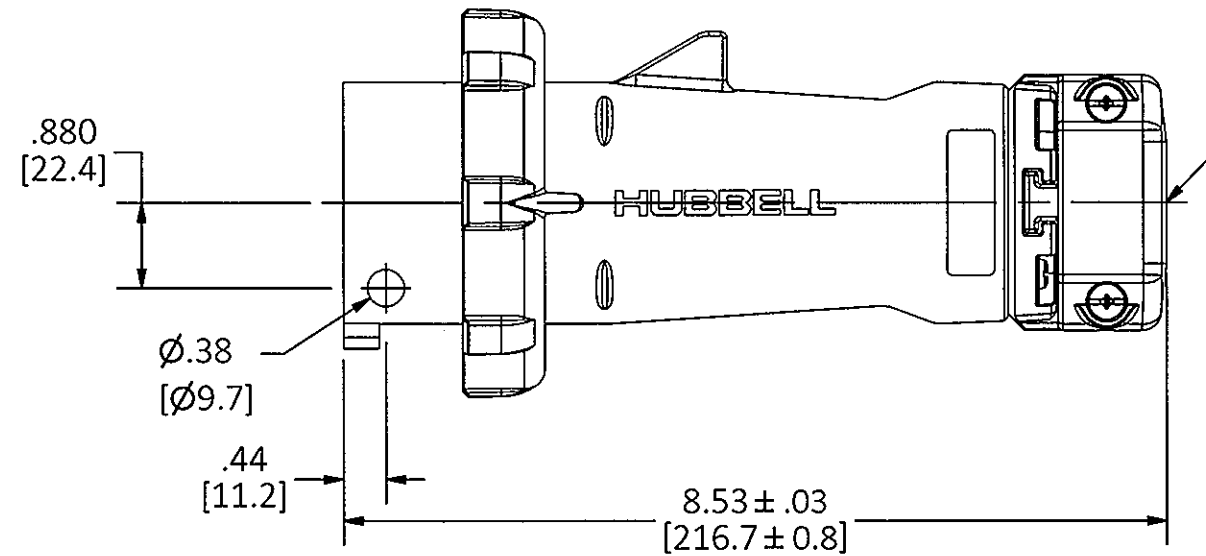
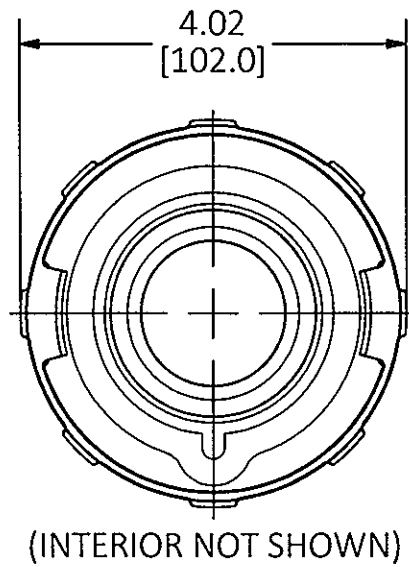


M-13330

1

CABLE DIA:
.500 MIN
[12.7MM]
1.450 MAX
[36.8MM]



CAT. NO.	CONFIG.	RATING	HOUSING COLOR
HBL530P5W		30A 347/600VAC 3Ø	BLACK
HBL530P6W		30A 200/346-240/415VAC 3Ø 32A - 6h/200/346-240/415V~	RED
HBL530P6V02		30A 200/346-240/415VAC 3Ø 32A - 6h/200/346-240/415V~	RED
HBL530P7W		30A 277/480VAC 3Ø	RED
HBL530P9W		30A 120/208VAC 3Ø 30A 120/208VAC 3Ø	BLUE

LIST OF PARTS		
DESCRIPTION	MATERIAL	FINISH
HOUSING	PBT	
GASKET	RUBBER	
LOCKING RING	PBT	
INTERIOR	THERMOSET	
PINS	BRASS	
TERM. SCREWS	ST. STEEL	
GLAND CAP	PBT	
GLANDS	RUBBER	
CLAMPS	PBT	
CLAMP NUTS	BRASS	NICKEL
ASSY SCREWS	ST. STEEL	

DIMENSION SHEET FOR CAT. NO. SEE TABLE

1	INITIAL RELEASE PER DCN 21982 Mr. B. [Signature]	TLS	3/10/16
REV	DESCRIPTION	APP	DATE

THE DESIGN AND DIMENSIONS OF THE PRODUCT SHOWN ON THIS DRAWING ARE SUBJECT TO CHANGE WITHOUT NOTICE. DIMENSIONS ARE IN INCHES [mm].

TITLE
30A & 32A 4 POLE 5 WIRE PIN AND SLEEVE PLUGS

WIRING DEVICE-KELLEMS
HUBBELL INCORPORATED
SHELTON, CT

TOLERANCES UNLESS OTHERWISE SPECIFIED .XX = ± .01 .XXX = ± .005 ANGLE TOL. ±2'	DR. BY Mr. B	SCALE 1:2
	CHK. BY TLS	DATE 3/2/16

B M-13330 1