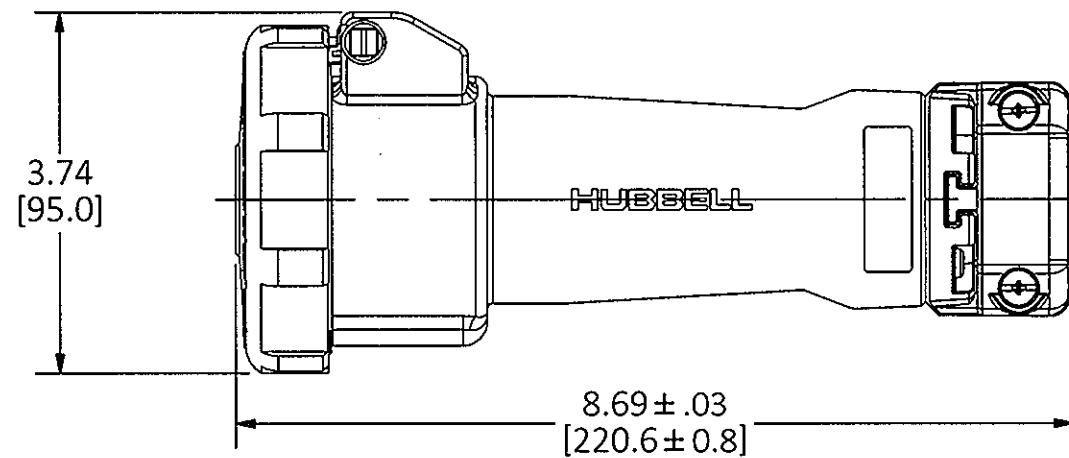
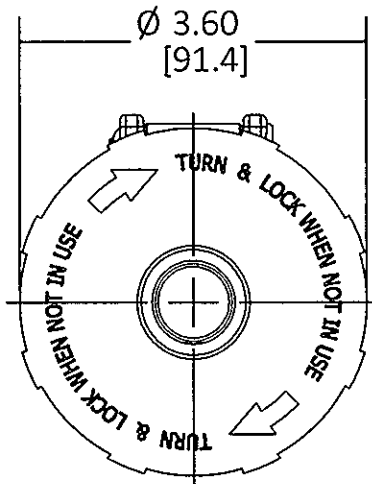


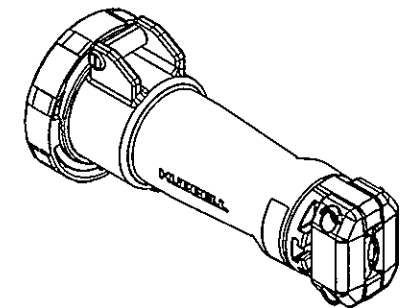
M-13304

1



CABLE DIA:
.375 MIN
[9.50 MM]

1.250 MAX
[38.80 MM]



CAT. NO.	CONFIG.	RATING	HOUSING COLOR
HBL330C4W		30A 125VAC	YELLOW
HBL332C4W		32A - 4h/100-130V~	YELLOW
HBL330C6W		30A 250VAC 32A - 6h/200-250V~	BLUE
HBL330C7W		30A 480VAC	RED
HBL330C8V0DC		30A 550VDC	BLACK

LIST OF PARTS

DESCRIPTION	MATERIAL	FINISH
HOUSING	PBT	
INTERIOR	THERMOSET	
SLEEVES	BRASS	
SLEEVE SPRINGS	BERR COPPER	SILVER
TERMINAL SCR.	ST. STEEL	
COVER	PBT	
GASKET	CLOSED CELL FOAM	
HINGE ARM	PBT	
HINGE PIN	BRASS	NICKEL
HINGE SPRING	ST. STEEL	
GLAND CAP	PBT	
GLANDS	NEOPRENE	
CLAMPS	PBT	
CLAMP NUTS	BRASS	NICKEL
ASSY. SCREWS	ST. STEEL	

DIMENSION SHEET FOR CAT. NO. SEE TABLE

1	INITIAL RELEASE PER DCN 21982 Mr. B. [Signature]	TLS	3/10/16
REV	DESCRIPTION	APP	DATE

THE DESIGN AND DIMENSIONS OF THE PRODUCT SHOWN ON THIS DRAWING ARE SUBJECT TO CHANGE WITHOUT NOTICE. DIMENSIONS ARE IN INCHES [mm].

TITLE
30A & 32A 2 POLE 3 WIRE PIN AND SLEEVE CONNECTOR

WIRING DEVICE-KELLEMS
HUBBELL INCORPORATED
SHELTON, CT

TOLERANCES UNLESS OTHERWISE SPECIFIED .XX = ±.01 .XXX = ±.005 ANGLE TOL. ±2	DR. BY Mr. B	SCALE 1:2
	CHK. BY TLS	DATE 3/2/16

B

M-13304

1