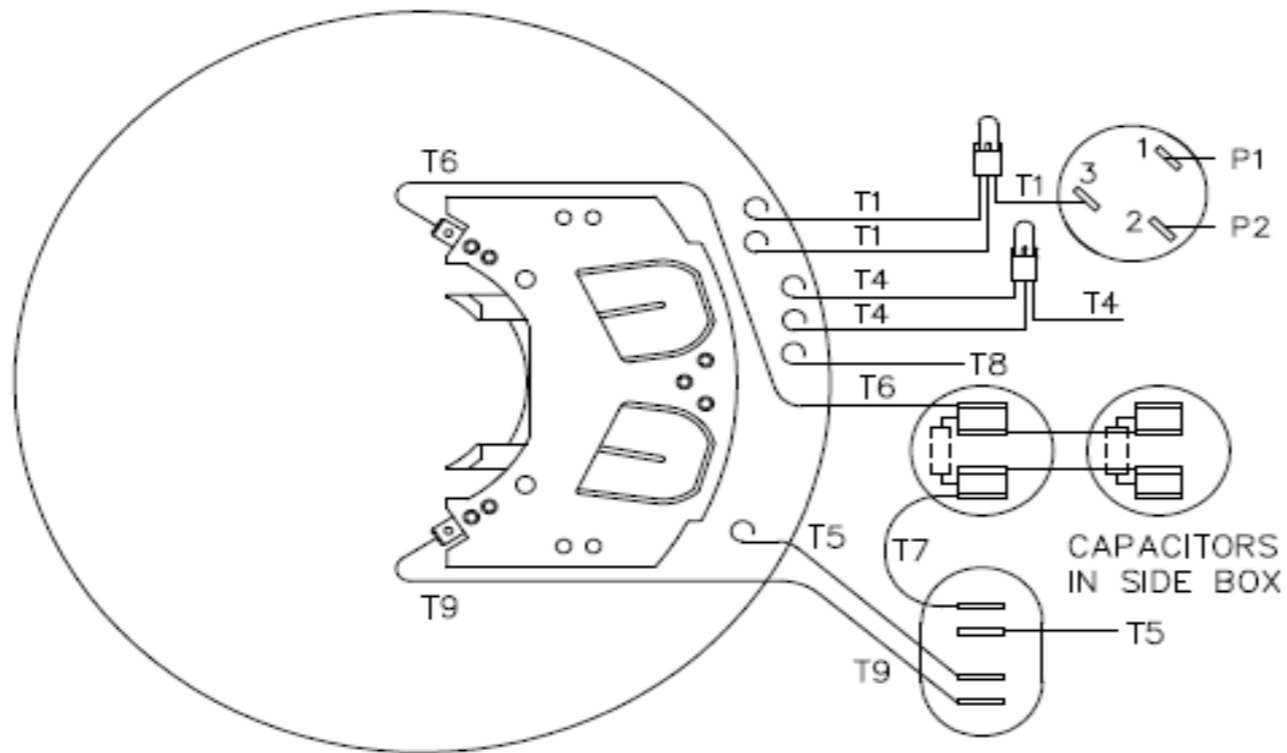


Wiring Diagram



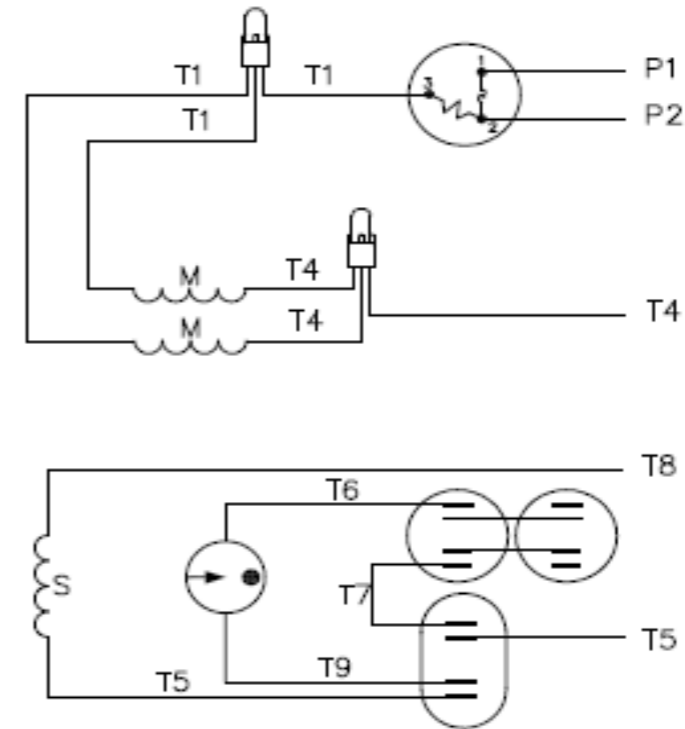
1TMY9	REV. -
-------	-----------



VIEW FROM OUTSIDE OF MOTOR AT SWITCH END

CAUTION:
LEAD WIRE INSULATION TO EXTEND MIN. OF 1/4" INTO CONNECTOR INSULATION

LINE LEADS



ROTATION FACING LEAD END	L1	L2	JOIN & INSULATE
C.C.W.	P1	T4,T5	P2,T8
C.W.	P1	T4,T8	P2,T5

DRAWING NO.	PAGE OF	REV.
1TMY9	1TMY9	-

Dayton Electric Mfg. Co. Lake Forest, IL 60045 USA