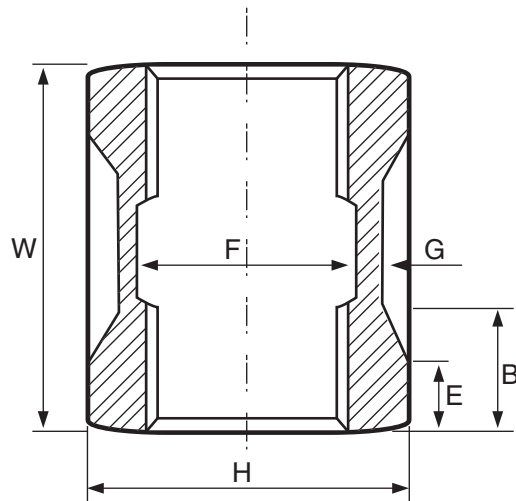


# MALLEABLE IRON

# COUPLING - BLACK

## Features

- 300 Class
- 100% Inspected and tested



Part No.	Size	
1LBY3	1/4"	Threaded
1LBY4	3/8"	Threaded
1LBY5	1/2"	Threaded
1LBY6	3/4"	Threaded
1LBY7	1"	Threaded
1LBY8	1-1/4"	Threaded
1LBY9	1-1/2"	Threaded
1LBZ1	2"	Threaded
1LBZ2	2-1/2"	Threaded
1LBZ3	3"	Threaded

- Material meets ANSI/ASME A 197-79 standard
- Dimensions meet ANSI/ASME B16.14 standard
- Threads meet ANSI B1.20.1

Dimensions are in inches

Part No.	Size	B	E	F min	F max	G	H	W
1LBY3	1/4"	0.43	0.38	0.54	0.58	0.14	0.93	1.37
1LBY4	3/8"	0.47	0.44	0.67	0.72	0.15	1.12	1.62
1LBY5	1/2"	0.57	0.50	0.84	0.90	0.16	1.34	1.87
1LBY6	3/4"	0.64	0.56	1.05	1.11	0.18	1.63	2.12
1LBY7	1"	0.75	0.62	1.31	1.38	0.20	1.95	2.37
1LBY8	1-1/4"	0.84	0.69	1.66	1.73	0.22	2.39	2.87
1LBY9	1-1/2"	0.87	0.75	1.90	1.97	0.24	2.68	2.87
1LBZ1	2"	1.00	0.84	2.37	2.44	0.26	3.28	3.62
1LBZ2	2-1/2"	1.17	0.94	2.87	2.97	0.31	3.86	4.12
1LBZ3	3"	1.23	1.00	3.50	3.60	0.35	4.62	4.12