

TWO-WHEEL HAND TRUCKS



Lightweight, high strength aircraft grade aluminum.

Dual clinch aircraft style riveted construction.

Engineered for optimum strength to weight ratio.

Personalization available to deter theft and promote company.

Magliner wheels include a proprietary sealed bearing with lifetime lubrication.

Aluminum or magnesium die-cast alloys are high strength and corrosion resistant.

HAND TRUCK FRAMES

ALL ALUMINUM



P/N	Wt.(lbs.)
300001	4.5

Straight back with 1-1/4" cross braces.



P/N	Wt.(lbs.)
300002	5.5

Straight back with 1-1/4" cross braces and vertical strap.



P/N	Wt.(lbs.)
302653	5.0

Straight back with 2-1/8" cross braces. Heavier extrusion cross-section for added strength and shock absorption.



P/N	Wt.(lbs.)
302657	6.0 for recess mount noses.

302660 6.0 for flush mount noses.
Straight back with 2-1/8" cross braces. Heavier extrusion cross-section for added strength and shock absorption.

ALUMINUM W/MOLDED CROSS BRACES



P/N	Wt.(lbs.)
300010	4.5

Straight back with 1-1/4" cross braces.



P/N	Wt.(lbs.)
300021	5.0

Curved back with 1-1/4" cross braces for keg and cylinders.



P/N	Wt.(lbs.)
300012	5.5

Curved back with 1-1/4" cross braces and vertical strap.



P/N	Wt.(lbs.)
300032	4.5

Combination of two straight and one curved 1-1/4" cross braces.

Curved cross member

U.S. Patent #D475,167 D593,272 D593,273 D593,722

All Magliner hand trucks have a 500 pound capacity unless otherwise stated.

HAND TRUCK HANDLES

HORIZONTAL LOOP HANDLES



P/N	Wt.(lbs.)
301000	1.0

Standard loop.



P/N	Wt.(lbs.)
30100	1.5

Standard loop with universal brace.



P/N	Wt.(lbs.)
301008	1.5

Standard loop with vinyl sleeve.



P/N	Wt.(lbs.)
30102	2.0

Standard loop with vinyl sleeve and universal brace.



P/N	Wt.(lbs.)
301005	1.0

Angled standard loop (3" higher).



P/N	Wt.(lbs.)
301001	1.0

Standard loop with straight top.

VERTICAL LOOP HANDLES



P/N	H"	Wt.(lbs.)
300981	52	2.35
300990	52	2.35 for #300021 frame
300978	60	3.5
300977	60	3.5 for #300021 frame



P/N	H"	Wt.(lbs.)
300994	60	2.0
300995	60	2.0 for #300021 frame

SINGLE GRIP HANDLES



P/N	H"	Wt.(lbs.)
301126	55	3.0
301127	60	3.3



P/N	H"	Wt.(lbs.)
301004	52	2.0

DOUBLE GRIP HANDLES



P/N	Wt.(lbs.)
86031	2.0

Bolted double grip with universal brace.



P/N	H"	Wt.(lbs.)
301137	52	2.5

Welded double grip.

DOUBLE LOOP HANDLES



P/N	H"	Wt.(lbs.)
301115	55	3.0
301119	60	3.3



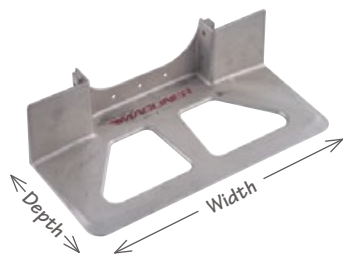
P/N	H"	Wt.(lbs.)
302297	55	3.0
302298	62	3.5
302160	68	4.0



P/N	H"	Wt.(lbs.)
301170	62	4.5

HAND TRUCK NOSES

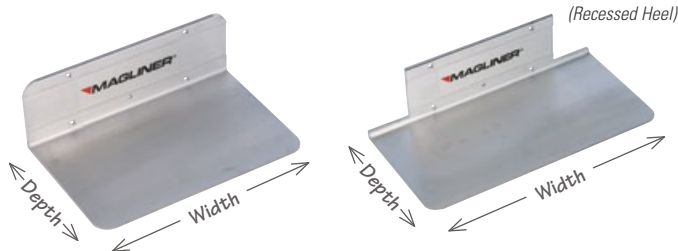
DIE-CAST



ALUMINUM				
P/N	W"	D"	Wt.(lbs.)	
300200	14	7-½	4.0	
300201	18	7-½	5.0	
MAGNESIUM				
P/N	W"	D"	Wt.(lbs.)	
300204	14	7-½	2.5	
300197	14	12	3.0	
300205	18	7-½	3.0	

Designed using either aluminum or magnesium alloys chosen for high strength and corrosion resistance. Aluminum is more rigid and best suited for moderate to mild climates. Magnesium is lighter than aluminum, more flexible and is the best option in cold climates or freezer deliveries.

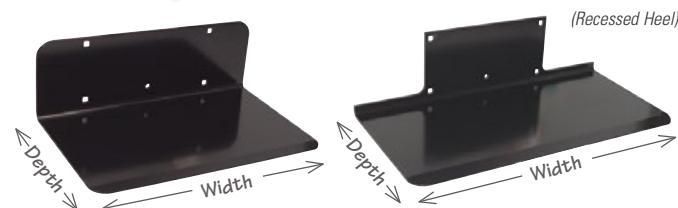
EXTRUDED ALUMINUM



P/N	W"	Mount		Wt.(lbs.)
		Flush Mount D"	Recessed Mount D"	
300244	14	9	7-⅛	4.5
300254	14	9	N/A	5.0
300245	18	9	7-⅛	5.5
300248	18	9	N/A	6.0
300203	16	12	N/A	7.0
300215	20	12	N/A	8.5

6000 series alloy designed with a tapered profile and leading edge for ease of use and maximum strength to weight ratio.

HIGH-STRENGTH STEEL



P/N	W"	Mount		Wt.(lbs.)
		Flush Mount D"	Recessed Mount D"	
300544	14	9	7-½	9.5
300554	14	9	N/A	10.5
300545	18	9	7-½	11.5
300548	18	9	N/A	13.5

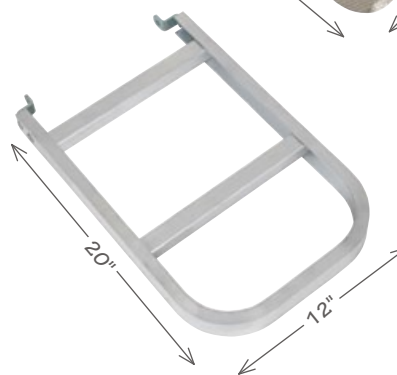
High strength, low alloy powder coated steel with machined edge for easily sliding under loads.

FOLDING NOSES (300 Pound Capacity)



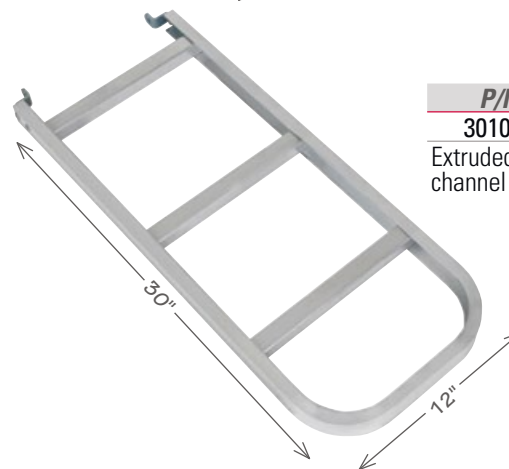
P/N	Wt.(lbs.)
301019	4.0

Low-profile formed aluminum extension.



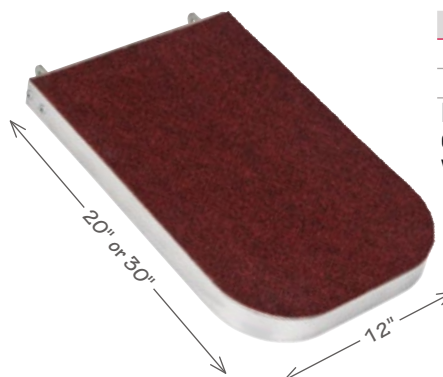
P/N	Wt.(lbs.)
301025	3.5

Extruded aluminum channel extension.



P/N	Wt.(lbs.)
301026	4.5

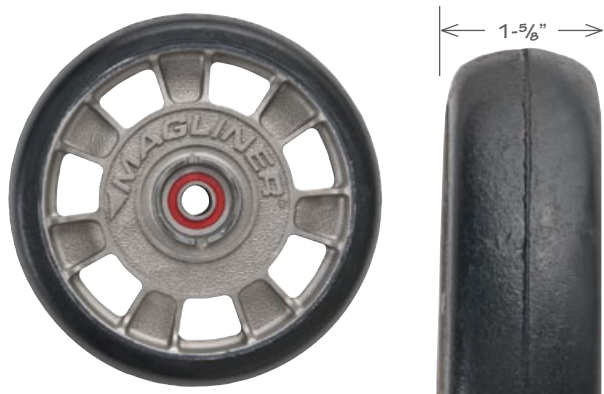
Extruded aluminum channel extension.



P/N	L"	Wt.(lbs.)
301051	20	4.5
301052	30	4.5

Extruded aluminum channel extension with carpet.

HAND TRUCK WHEELS



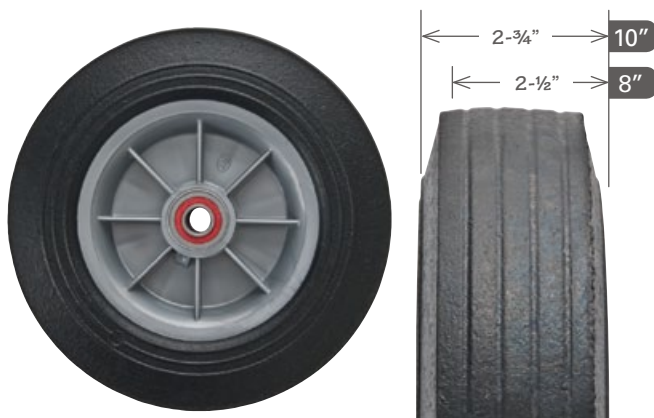
P/N	D"	Wt.(lbs.)
10815	8	2.5

Mold-On rubber on die-cast hub with semi-precision bearings.



P/N	D"	Wt.(lbs.)
131010	10	4.0

Puncture resistant, microcellular foam tire on one-piece steel hub with semi-precision bearings.



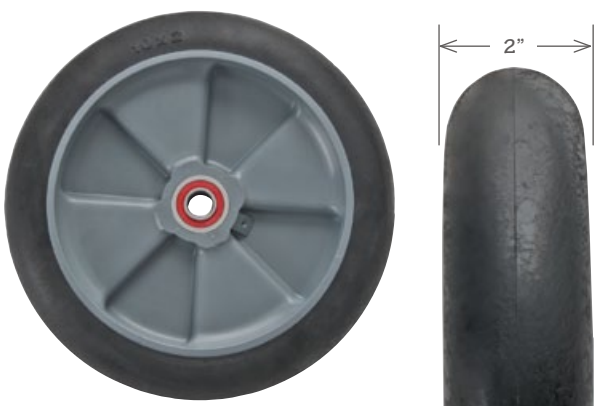
P/N	D"	Wt.(lbs.)
11825	8	3.5
111025	10	5.5

Puncture resistant, solid rubber tire on one-piece polyolefin hub with semi-precision bearings.



P/N	D"	Wt.(lbs.)
121060	10	4.5

Pneumatic tube-type tire with three-piece off-set hub and semi-precision bearings.



P/N	D"	Wt.(lbs.)
10830	8	2.0
101030	10	3.0

Puncture resistant, non-marking balloon cushion rubber on one-piece polyolefin hub with semi-precision bearings.



P/N	D"	Wt.(lbs.)
101020	10	7.0

Foam filled pneumatic with three-piece off-set hub and semi-precision bearings.

HAND TRUCK ACCESSORIES



P/N	Wt.(lbs.)
86006	2.5

Heavy-duty cast stair climbers with replaceable low-friction polymer glide bars.



P/N	H"	Wt.(lbs.)
40050	55	1.5
40010	60	1.5
40011	68	2.5

Hi-U frame extensions add height and stability for taller loads. (hardware required)



P/N	H"	Wt.(lbs.)
40050F	55	2.0
40010F	60	2.0
40011F	68	2.5

Hi-U frame extensions with foam sleeve. (hardware required)



P/N	Wt.(lbs.)
302497	0.5

Padded cover for Hi-U frame extensions.



P/N	L"	Wt.(lbs.)
32511	4	1.5
32513	5	1.5

Sliding keg hook swings out of the way when not in use. 4" hook for straight side kegs and 5" hook for barrel-style kegs. For use with 300051 frame only. (rod and hardware required)



P/N	Wt.(lbs.)
301121K	0.5

Holds keg in place securely. For use with 300021 and 300032 frames only.



P/N	H"	W"	Wt.(lbs.)
301114K	8-½	2-½	1.5

Wheel guards prevent loads from rubbing against hand truck wheels.



P/N	Wt.(lbs.)
302020	2.5

Carpeted frame protects loads during transport. Great for luggage handling.



P/N	Wt.(lbs.)
301030	1.5

Retractable garment hook on 52" universal brace.



P/N	L"	W"	Wt.(lbs.)
302161	45	3/side	7.5

Extruded aluminum side wings add an additional 6" of load support.



P/N	Wt.(lbs.)
302541	2.0

Folding nose kit with lock rod allows aluminum extruded noses to fold flush with frame when not in use. 500 pound capacity.

ACCESSORY BAGS



P/N	L"	W"	Wt.(lbs.)
302680	13	8	0.5

- Main pocket 12" long x 8" wide x 2" deep with 1 Velcro strap
- Outside pocket 5-¼" long x 5-½" wide



P/N	L"	W"	Wt.(lbs.)
302681	16-½	12	1.0

- 2 top pockets, sealed with Velcro 10" long x 6" wide
- 1 tool pocket 12" wide x 3-½" deep



P/N	L"	W"	Wt.(lbs.)
302682	18	12	1.0

- 1 pocket 11" deep x 9" wide
- 1 tool pocket 12" wide x 3-½" deep



P/N	L"	W"	Wt.(lbs.)
302683	29	12	1.0

- 2 top pockets, sealed with Velcro 10-½" long x 6" wide
- 1 tool pocket 12" wide x 3-½" deep
- 1 pocket 11-½" wide x 12" deep