

Twist-Lock® Devices
 20A, 3 Phase Y 120/208V AC, 4 Pole, 5 Wire
 Grounding
 Insulgrip® Plug

HUBBELL



20A 3ØV
 120/208V AC
 NEMA L21-20P
 UL/CSA
 2 HP



Features

- Superior cord grip design protects terminations from excess strain.
- Clear, funnel shaped wire entry for ease of termination.
- Integral dust shield protects wiring chamber from dust or contaminants.

Ordering Information

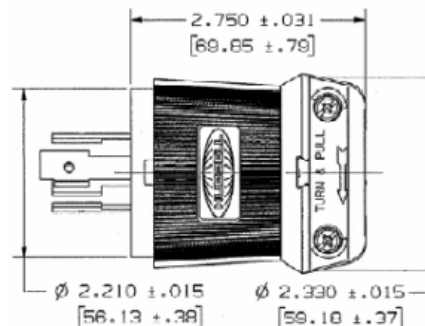
Description	Cord Diameter	UPC	Catalog Number
Black nylon.	.350"-1.150" (9-29)	783585172262	HBL2511BK

Listings

Listed to UL 498
 Fed.Spec. W-C-596
 Certified to CSA C22.2 No.42

Specifications

Housing / Cord Clamp	Nylon
Terminal Retainer	Clear polycarbonate
Blades	Brass
Terminal Screws	#10-32 Brass (Phillips / Slotted / Robertson)
Terminal Clamp	Cold rolled steel – nickel plated
Assembly Screws	Steel - nickel plated



Performance

Electrical

Current Interrupting Certified for current interrupting at full rated current
 Dielectric Voltage Withstands 2,000V minimum

Mechanical

Terminal Accommodation #16 AWG - #8 AWG stranded copper wire only.
 Terminal Identification Terminals identified in accordance with UL 498

Environmental

Flammability HB or better per UL94/CSA 22.2 No.0.17
 Moisture Resistance IP20 Suitability
 Operating Temperatures Maximum Continuous 75°C Minimum -40°C (w/o impact)

Accessories

Connector	HBL2513BK
Single Receptacle	HBL2510
Flanged Receptacle	HBL2516
Weatherproof Boot	HBL6035

Resources

Customer Use Drawing
 eCatalog

Dimensions in Inches (mm)

Hubbell Wiring Device-Kellems • Hubbell Incorporated (Delaware) • 40 Waterview Drive • Shelton, CT 06484

Phone (800) 288-6000 • Fax (800) 255-1031 • Specifications subject to change without notice.

