

Dayton Utility Pumps

PUMPS technical data sheet



Submersible Utility / Dewatering pumps are designed for fluid transfer or dewatering applications. These pumps are typically used for temporary rain water removal and are designed to operate continuously. Utility pumps typically do not have automatic float switches, but do have broader head and flow ranges to accommodate higher performance requirements of dewatering applications.

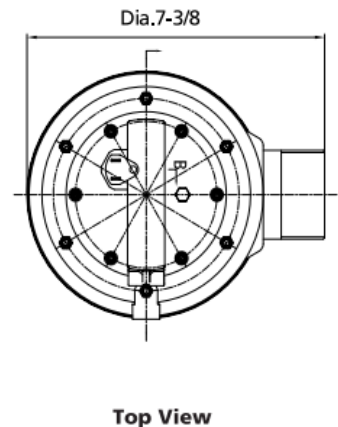
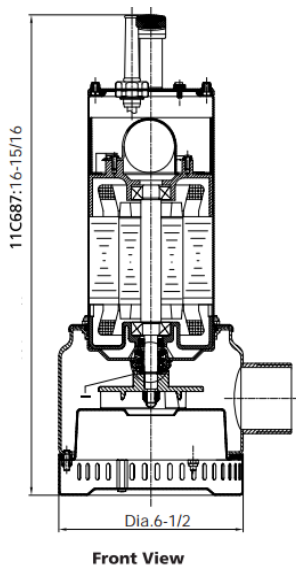


11C687
1/2 HP, Stainless Steel
Submersible Utility Pump

HP	1/2
Voltage	115V
Phase	Single
Frequency	60 Hz
Run Amps	11.4A

RPM	3450
Motor Type	PSC
Overload Protection	Internal Thermal Overload
Motor Shaft Material	Stainless Steel
Motor Housing Material	Stainless Steel
Motor Duty	Continuous
Motor End Bearing	Single Row Ball
Pump End Bearing	Single Row Ball
Lubrication	Oil Lubricated
Discharge	1-1/2 in MNPT
Volute Material	Stainless Steel
Base Material	Stainless Steel
Impeller Type	Closed
Impeller Material	Stainless Steel
Hardware Material	Stainless Steel
O-rings	Buna-N
Seal Type	Mechanical
Seal Materials	Carbon/Ceramic/Buna-N
Operation	Manual Operation
Power Cord	16/3 SJOW, 20' (6m), NEMA 5-15P 120V Plug
Max. Solids Handling	3/16" (4.8mm) spherical
Max. Water Temperature	104°F (40°C)
Designed Fluid Environment	Water / Wastewater

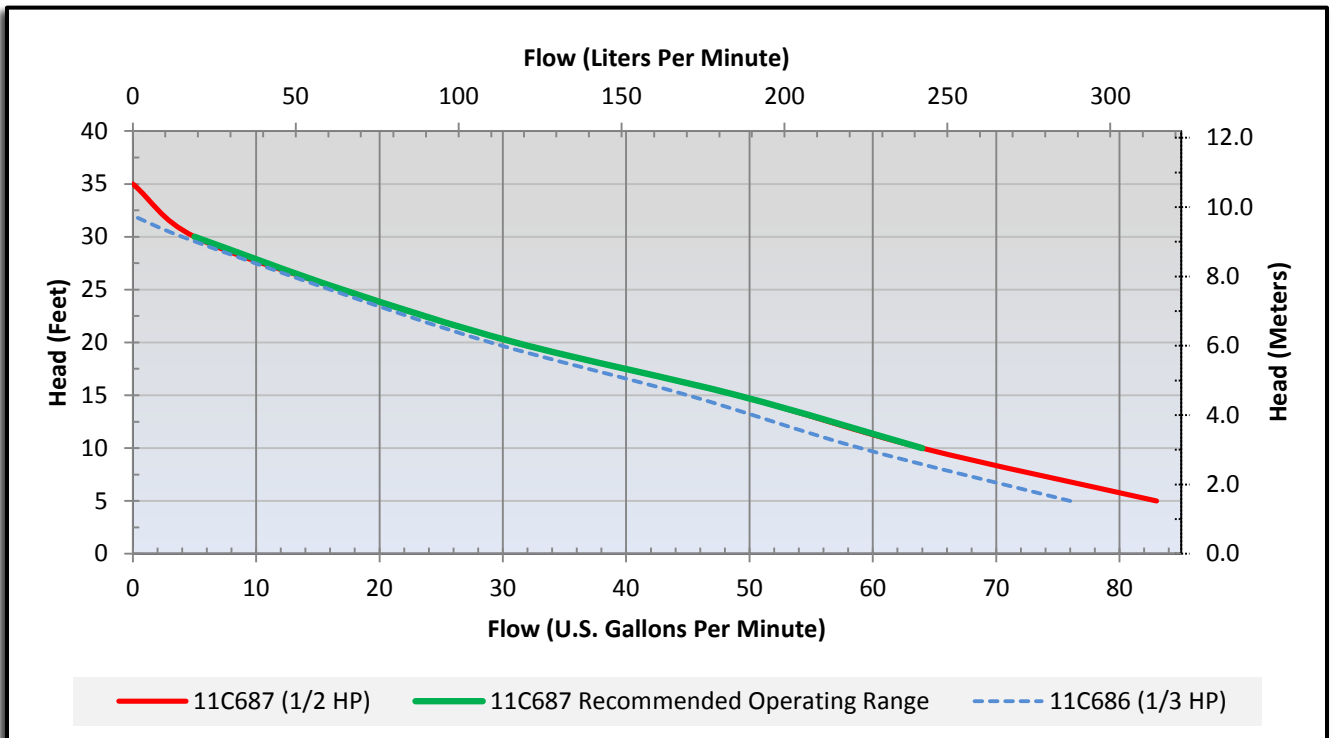
Outline Dimensions



Performance Data

Head	Feet	5	10	15	20	25	30	35
	Meters	1.5	3.1	4.6	6.1	7.6	9.1	10.7
Flow Rate	GPM	83	64	49	31	17	5	0
	LPM	314	242	185	117	64	19	0

Performance Chart



WARNING: Use only with nonflammable liquids compatible with pump component materials and in nonflammable/non-explosive atmospheres.

Call or visit your local branch or go to granger.com/dayton for complete product line information



Find it at Grainger.

© 2013 W.W. Grainger, Inc.